



Instruction Manual (page 2-8)

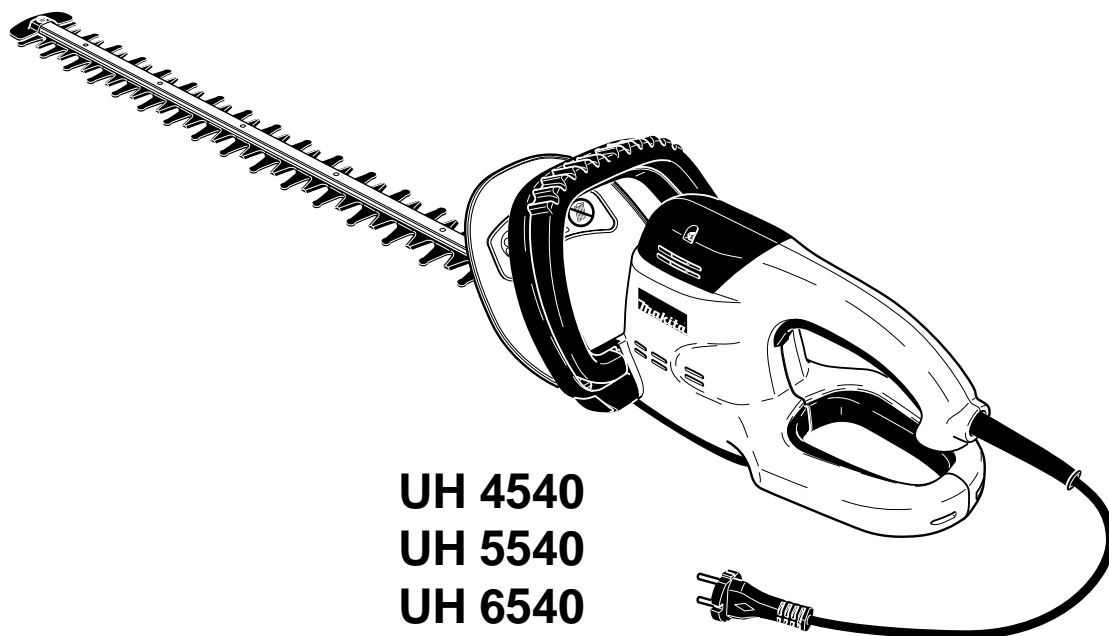
Betriebsanweisung (Seite 9-15)

Instructions d'emploi (page 16-22)

Instrucciones de manejo (pagina 23-29)

Gebruiksaanwijzing (bladzijde 30-36)

Betjeningsvejledning (side 37-43)



UH 4540

UH 5540

UH 6540

Important:

Read this instruction manual carefully before putting the hedge trimmer into operation and strictly observe the safety regulations!
Keep this instruction manual!

Achtung:

Lesen Sie vor der ersten Inbetriebnahme diese Betriebsanweisung gründlich durch und befolgen Sie unbedingt die Sicherheitsvorschriften!
Betriebsanweisung sorgfältig aufbewahren!

Attention:

Lire attentivement ce manuel avant la première mise en service et observer absolument les prescriptions de sécurité!
Garder avec soins le manuel des instructions d'emploi!

Atención:

Es indispensable leer con mucha atención las instrucciones de manejo antes de utilizar el cortasetos por primera vez.
¡Preste especial atención a las recomendaciones de seguridad! Conservar cuidadoso los instrucciones de manejo.

Belangrijk:

Lees voor de eerste inbedrijfname deze gebruiksaanwijzing zorgvuldig door en neem alle veiligheidsvoorschriften in acht.
Gebruiksaanwijzing zorgvuldig bewaren!

Obs:

Læs venligst denne betjeningsvejledning omhyggeligt igennem, inden hækkeklipperen tages i brug, og overhold under alle omstændigheder sikkerhedsreglerne! Opbevar betjeningsvejledningen omhyggeligt.

Thank you for purchasing a MAKITA product!

Congratulations on choosing a MAKITA hedge trimmer! We are confident that you will be satisfied with this modern machine.

Models UH 4540, 5540, 6540 are very light and handy hedge trimmers, with high performance and a good power-to-weight ratio.

The ergonomic design of the grips and controls make for comfortable and untiring operation during extensive jobs. An extension cord detensioner is included with the trimmer.

The safety features of the UH 4540, 5540, 6540 hedge trimmers are state of the art and meet all international standards. These safety features include 3 grip safeties, 2-hand safety hold and a quick-stop function for the blade.

In order to ensure the proper functioning and performance of your new hedge trimmer, and to safeguard your own personal safety, it is imperative that you read this instruction manual thoroughly before operation. Be especially careful to observe all safety precautions! Failure to observe these precautions can lead to severe injury or death!



EU Conformity Declaration

The undersigned, Junzo Asada and Rainer Bergfeld, as authorized by DOLMAR GmbH, declare that the MAKITA machines,

Type: 223

UH 4540, UH 5540, UH 6540

manufactured by DOLMAR GmbH, Jenfelder Str. 38, 22045 Hamburg, Germany, conforms to the basic safety and health requirements of the applicable EU guidelines:

EU Machine guideline 98/37/ EG,

EU EMC guideline 89/336/ EWG (modified by 91/263/ EWG, 92/31/ EWG and 93/68/ EWG),

EU Low-voltage guideline 73/23/ EWG (modified by 93/68/ EWG),

Noise emission 2000/14/EG.

The most important standards applied to properly meet the requirements of the above EU guidelines were: EN 774/A3, EN 50144-1, EN 50144-2-15, EN 55014-1, EN 55014-2, EN 61000-3-2/-3.

The conformity assessment procedure 2000/14/EG was performed per Annex V. The measured noise level (L_{wa}) is 95 dB(A). The guaranteed noise level (L_d) is 96 dB(A).

Hamburg, 6.3.2002

For DOLMAR GmbH

Junzo Asada
Managing Director

Rainer Bergfeld
Managing Director

Packaging

Your MAKITA hedge trimmer is delivered in a cardboard box to protect it during shipping. Cardboard is a basic raw material and is consequently reuseable or suitable for recycling (waste paper recycling).



Table of contents

EU Conformity Declaration	2
Packaging	2
Symbols	2
Delivery inventory	3
SAFETY PRECAUTIONS	3
General precautions	3
Protective equipment	3
Putting into operation	3-4
Extension power cord	4
Transport and storage	4
Maintenance	4
First aid	4
Working technique	5
Tips on hedge-trimming	5
Environmental protection information	5
Technical data	6
Designation of components	6
PUTTING INTO OPERATION	7
Checking the blade brake	7
MAINTENANCE	7
Cleaning and maintaining the cutter	7
Instructions for periodic maintenance	7
Trouble shooting	7
Service, spare parts and guarantee	8
Service centres (see enclosure)	

Symbols

You will notice the following symbols on the hedge trimmer and in the Instruction Manual:



Read Instruction Manual and follow all warnings and safety instructions!



Particular care and attention!



Forbidden!



Protect from rain and moisture!



Pull mains plug if power cord is damaged!



Pull mains plug!



Double protective insulation



Switch off motor!



Wear protective gloves!



Wear eye and hearing protection!



First aid

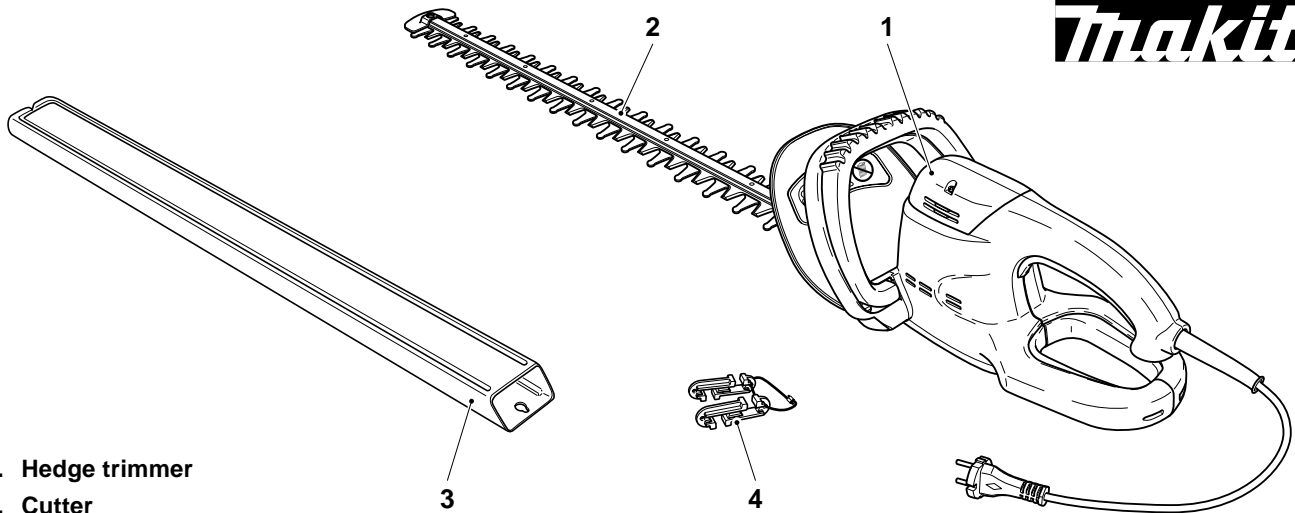


Recycling



CE-Kennzeichnung

Delivery inventory



1. Hedge trimmer
2. Cutter
3. Sheath
4. Power cord detensioner
5. Instruction Manual (not shown)

Should one of the parts listed here be missing, please consult your sales agent!

SAFETY PRECAUTIONS



General precautions


- In order to ensure safe operation, the operator must read this instruction manual to familiarize him or herself with the operation of the hedge trimmer. Users insufficiently informed will endanger themselves as well as others due to improper handling.
- First-time users should have an experienced hedge-trimmer user show them how to use the trimmer.
- Lend the hedge trimmer only to persons who are experienced in the use of such machines. Always give the the instruction manual.
- Persons under 18 years of age must not be allowed to operate the hedge trimmer. Persons over the age of 16 years may, however, use the hedge trimmer for instructional purposes as long as they are under the supervision of a qualified individual.
- Always pay the utmost attention when using the hedge trimmer!
- Use the hedge trimmer only if you are in good physical condition. If you are tired, your attention will be reduced. Be especially careful at the end of a working day. Perform all work calmly and carefully. The user is responsible for all damages to third parties.
- Never use the trimmer when under the influence of alcohol, drugs or medication.

Protective equipment

- In order to prevent, eye, hand and foot injuries as well as hearing loss, always wear the protective clothing and gear described in the following when working with the hedge trimmer.
- Clothing should be appropriate, i. e. snugly fitting but not so tight as to be a hindrance. Do not wear jewellery or clothing which could get caught on twigs and branches. If you have long hair, always wear a hairnet!
- The protective glasses or goggles keep cut material out of your eyes and prevent eye injuries. Always wear eye protection when using the hedge trimmer!

- Wear adequate hearing protection equipment (ear muffs, ear plugs, etc.). Octave brand analysis upon request.
- Work gloves of stout leather are part of the basic equipment of the hedge trimmer and must always be worn when working with it.
- When using the trimmer always wear sturdy shoes with anti-skid soles.

Starting operation

- Before starting work check to make sure that the trimmer is in good and safe working order. This is a must!
- Do not use the hedge trimmer in the rain or in wet or very damp conditions. The electric motor is not waterproof. 
- Do not use the hedge trimmer if it is wet or damp.
- Do not use the hedge trimmer near combustible gases or dust. The motor generates sparks. **Explosion hazard!**
- Check to make sure that the voltage and frequency of the power supply correspond to the specifications given on the identification plate. Max. back-up fuse 16 A. We recommend the use of a residual-current-operated circuit breaker (ground-fault circuit interruptor) or an earth leakage current protector.
- Make sure that no children or other persons are within 5 meters (17 feet) of the unit during operation. Watch out for animals.
- The hedge trimmer must not be used unless fully assembled!
- Make sure you have a secure footing before starting operation.
- The trimmer will not start unless both the front and rear handles are grasped firmly in both hands. The trimmer is designed for use by left- or right-handers, and can be used on both sides equally well.

- **Do not immobilize the front or rear grip safeties!**
- Operate the hedge trimmer only in the manner prescribed by the instruction manual.
- Switch off the hedge trimmer immediately if you notice any change in its behaviour.
- Immediately unplug the mains plug if the power cord should become damaged or severed.
- Immediately switch off the motor and unplug the mains plug if the cutter should come into contact with a fence or other hard object. Check the cutter for damage.
- **Before checking the cutter, taking care of faults, or removing material caught in the cutter, always switch off the trimmer and unplug the mains plug.**
- Before taking breaks and before leaving the hedge trimmer unattended, always switch it off and unplug the mains plug. Place the trimmer in such a way that it cannot endanger anyone.

Extension power cord

- Use only splash-proof extension cords that are approved for outdoor use and marked as such.
- When selecting an extension cord, give preference to cords in fluorescent or eye-catching colours.
- The hedge trimmer is protectively insulated in accordance with VDE (German Electricians' Association) Standard 0740 Class II, and can therefore be connected to plug sockets without ground contact.
- Always work in such a way that the extension power cord is behind you!
- Always start near the power source and work away from it. This ensures that the extension cord stays behind the work area.
- The trimmer power cord must likewise always be behind the operator. Make sure that it does not get caught, or comes into contact with sharp objects. Route the cord in such a way that no persons can be endangered.

Important: Work especially carefully when the extension cord has to be routed over the hedge!

- Do not use any extension cord with a line cross-section of less than 3 x 1.5 mm². When using a reel, make sure that the cord is completely unrolled. The cord length must not exceed 30 m / 100 ft!

Transportation and storage

- **When moving the hedge trimmer to another location, including during work, always unplug the mains plug.**
- **Never carry or transport the trimmer with the cutter running!**
- **Never grasp the cutter with your hands!**
- When transporting the hedge trimmer for more than short distances, always put on the sheath supplied with the unit.
- Carry the trimmer only by the front handle. The cutter should be pointing backwards.
- When carrying the hedge trimmer in a vehicle, make sure it is in a secure position. It should be transported only in the trunk or in a transport area separate from the driver.



- Store the hedge trimmer with the sheath on, in a dry room. Keep it out of reach of children. Never store the trimmer outdoors.
- Clean the hedge trimmer and especially the cutter after use, and before putting the trimmer into storage for extended periods. Lightly oil the cutter and put on the sheath. The sheath supplied with the unit can be hung on the wall, providing a safe and practical way to store the hedge trimmer.

Maintenance

- **Switch off the trimmer and disconnect and secure the mains plug before doing any maintenance work.**
- Make especially sure the cutter is undamaged and in good condition.
- Regularly inspect the power cord for damage to the insulation. If the power cord is damaged, disconnect the mains plug.
- Regularly clean the trimmer.
- If the plastic housing is damaged, have the unit repaired by a qualified service technician immediately. **Shock hazard! Danger of injury!**



Follow the accident-prevention instructions and recommendations of your trade association or insurer.

Do not make any modifications to the hedge trimmer. Doing so will only endanger your safety.

Perform only the maintenance and repair works described in the instruction manual. All other work must be carried out by MAKITA Service.

Use only original MAKITA spare parts and accessories.

Using other than original MAKITA parts or accessories brings a high risk of accidents. We cannot accept any responsibility for accidents and damage resulting from non-MAKITA parts and accessories which have not been approved.

First aid



For the event of a possible accident, please make sure that a first aid kit is always immediately available close by. Immediately replace any items used from the first aid box.

When calling for help, give the following information:

- Place of the accident
- What happened
- Number of injured
- Kind of injuries
- Your name!

NOTE

Individuals with poor circulation who are exposed to excessive vibration may experience injury to blood vessels or the nervous system.

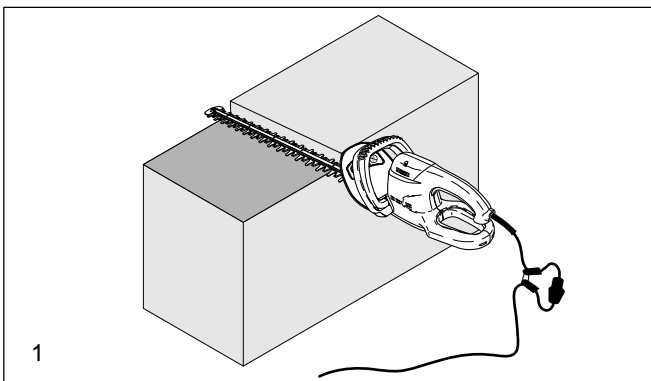
Vibration may cause the following symptoms to occur in the fingers, hands or wrists: "Falling asleep" (numbness), tingling, pain, stabbing sensation, alteration of skin colour or of the skin. **If any of these symptoms occur, see a physician!**

Working technique

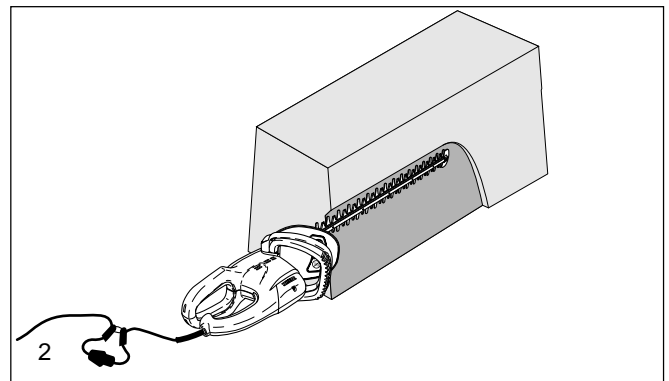
- Work only in good lighting and visibility.
- Never work on an unstable surface. Pay attention to obstacles in the work area - risk of stumbling! Pay constant attention to good footing.
- Never work while standing on a ladder.
- Do not bend too far over while working.
- Guide the trimmer away from your body, with the cutter pointing away and at a safe distance from your body.
- Use the hedge trimmer only for trimming hedges! Do not use it for cutting grass or brush.
- Always keep the ventilation slots unobstructed, to ensure proper cooling of the electric motor.
- Do not allow the cutter to touch the ground when running. Foreign objects will damage the cutter and may lead to injury.
- Do not use the trimmer to lift, lever, or sweep away cut material or other objects.
- While the trimmer is rated for twigs up to 20 mm / 3/4" diameter, actual cutting ability will depend on the species, age, moisture content and hardness of the wood.
- Cut thick branches to length with pruning shears before trimming the hedge.
- **Do not start working until you have made sure that:**
 - a) No other persons or animals are within the working area.
 - b) The trimmer operator can step back unhindered in the event of an emergency.
 - c) The ground is free of all foreign objects, brush, and branches. The operator must have a sure footing (risk of stumbling).

Tips on trimming hedges

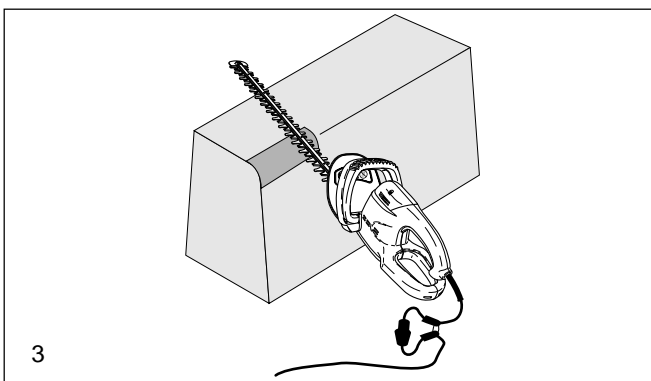
The procedure described here can be used very often and makes working easier. If a hedge has to be cut back very substantially, it should be trimmed in two passes.



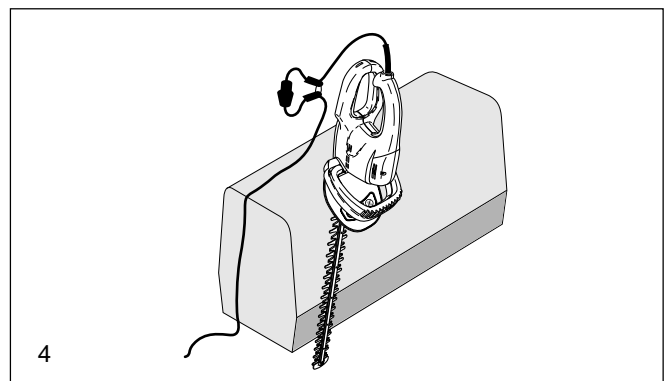
- First cut the hedge to the desired height (1). With practice, it is possible to remove cut material from the hedge with a swinging motion. To get a straight cut, stretch a string along the hedge at the desired height.



- Trim the hedge to a trapezoidal shape (about 10 cm / 4" in at the top for every 1 m / 3'3" of height), cutting from bottom to top (2). In this way you avoid cut material falling down into the area not yet cut.



- Round off the top edges of the hedge (3), and finally trim the bottom edges back somewhat (4).



The best times to trim hedges are:

Broad-leaf hedges: June and October

Coniferous hedges: April and August

Fast-growing hedges: About every 6 weeks starting in May

Environmental protection information

Do not use the hedge trimmer during times when people are likely to be resting.

Before trimming a hedge, check to make sure that no birds are nesting in it. If they are, wait until the young have left the nest before trimming near that part of the hedge.

Dispose of cut material in an environment-friendly way, or compost it.

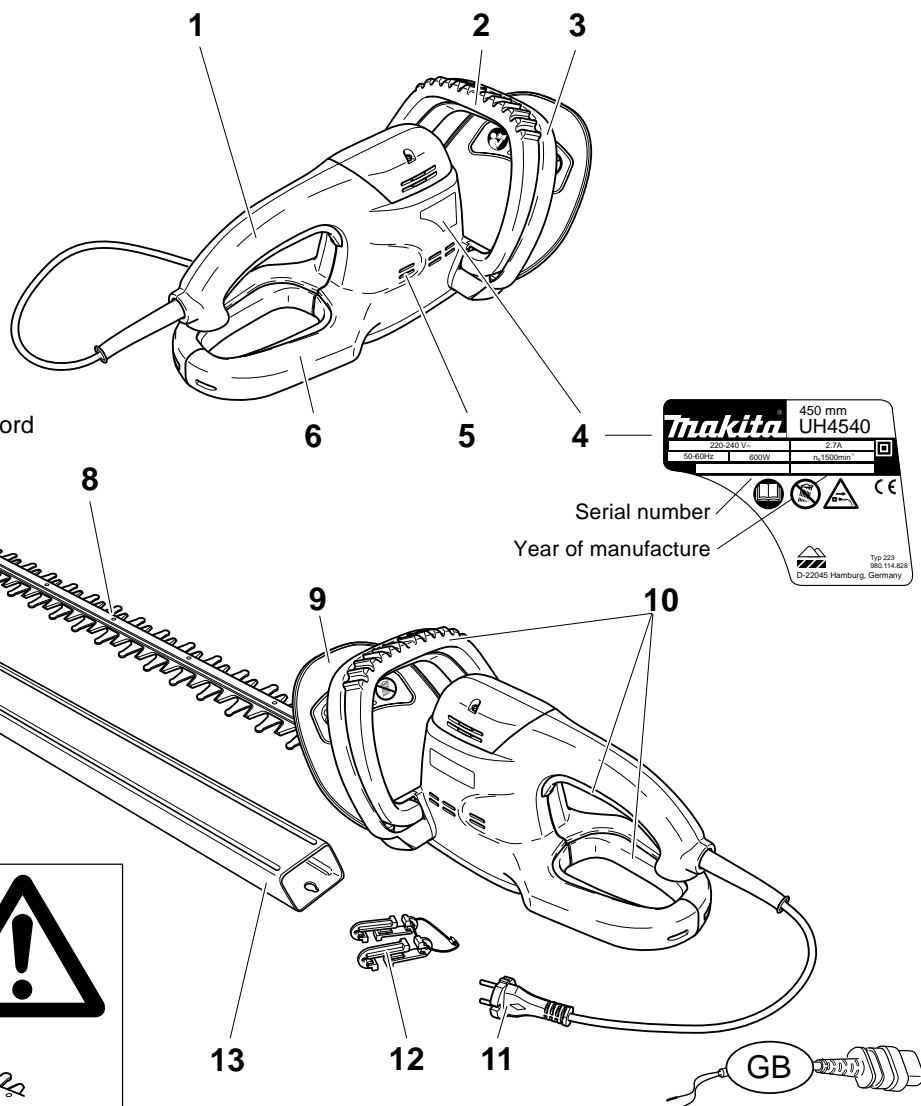
Technical Data

		UH 4540	UH 5540	UH 6540
Power consumption	Watt	600		
Rated voltage	V	220...240~		
Mains frequency	Hz	50...60		
Rated current	A	2,7		
Supply (back-up) fuse	A	16		
Power-cord length	cm	30		
Cutter length	cm	45	55	65
Blade cycles (n ₀)	n/min	1500		
Stroke	mm	18		
Max. cut diameter	mm	20		
Blade interval	mm	26		
Sound pressure level L _{pA} at the workplace per EN 50144-1 ¹⁾	dB (A)	85,2	85,2	85,2
Sound power level L _{WA} per EN 50144-1 ¹⁾	dB (A)	98,2	98,2	98,2
Vibration acceleration a _{h,w} per EN 774/A3, EN 50144-2-15 ¹⁾	m/s ²	3,3 / 1,7		
- Bow-type handle at the front	m/s ²	2,6 / 1,0	2,6 / 1,0	2,6 / 1,0
- Grap handle at the rear				
Overload protection	Type	Slip clutch		
Brake		mechanical		
Stopping time	sec.	0,05		
Weight	kg	3,8	4,0	4,1
Radio Interference suppression/EMC		according to EMC guidelines 89/336/EWG and 92/31/EWG		
Protective insulation		Class II (double insulation)		
Extension power cord (not included)	Type	DIN 57282 / HO7RN-F		
		L= max. 30 m, min. 3 x 1,5 mm ²		

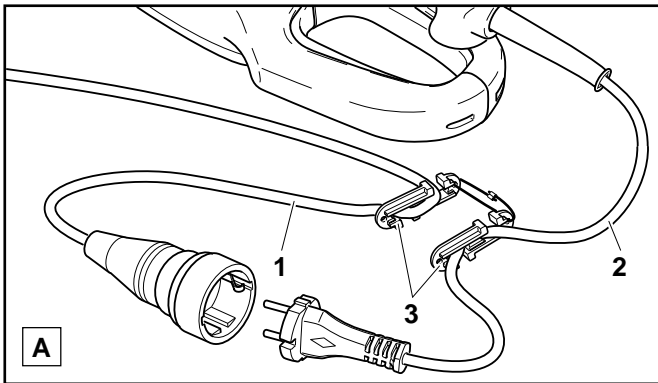
¹⁾ measured at the highest number of revolutions

Designation of components

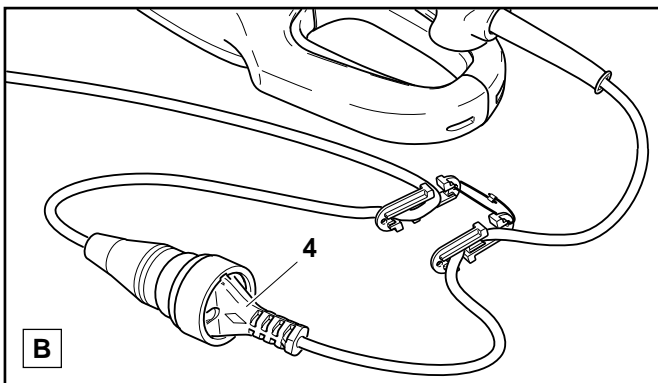
- 1 Rear handle
- 2 Front grip safety
- 3 Front handle
- 4 Identification plate
- 5 Ventilation slots
- 6 Double handle
- 7 Impact guard
- 8 Cutter
- 9 Hand guard
- 10 Rear grip safety
- 11 Plug
- 12 Strain reliever for extension power cord
- 13 Sheath



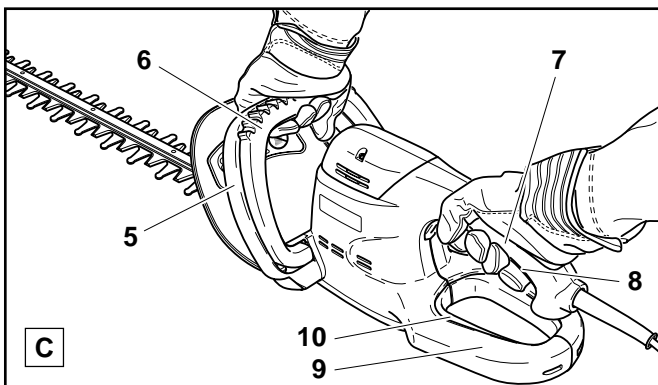
STARTING



- Engage the extension cord (A/1) and power cord (A/2) in the detensioner (A/3).



- Connect the mains plug (B/4) with the extension power cord.



- Hold the front handle (C/5) with one hand, depressing the front grip safety (C/6).
- Grasp the rear handle (C/7) with the other hand and start the trimmer with depressing the rear handle grip safety (C/8).

Note: It can be easier in some cases to work with the double handle (C/9). In this case use the grip safety (C/10) to start the trimmer.

Caution: The trimmer will start immediately!

Note: The trimmer will only start when two switches (C/6 and C/8 or C/6 and C/10 or C/8 and C/10) are actuated.

Caution: If the hedge trimmer starts after actuating only one of the switches, do not work with the trimmer! Take the trimmer to a MAKITA service center.

To switch off: Release one or both grip safeties. The trimmer will stop immediately.

Checking the cutter brake



Check the cutter brake each time before starting work!

- Start the trimmer as described above.
- Grasp the front handle firmly with one hand. Hold the rear handle with the other hand.
- Depress and then release the rear handle grip safety (C/6, C/8 or C/10). The cutter should stop instantly.

Important: If the cutter does not stop immediately during this test, do not work with the trimmer! Take the trimmer to a MAKITA service center.

MAINTENANCE

To ensure a long servicelife and to prevent any damage the maintenance work described in the following must be performed regularly. The product guarantee will be automatically invalidated if this maintenance is not carried out regularly and according to the instructions.

Caution:

Always disconnect the power cord before doing any work on the hedge trimmer! Always wear protective gloves!



Cleaning and care of the cutter

Caution: Take special care when cleaning and maintaining the cutter (injury hazard).

Check the cutter regularly for damage, and clean it with a suitable brush or cloth.

If cutting performance should become unsatisfactory after extensive use, contact a service center.

Periodic care and maintenance instructions

Before every use

- Check the entire hedge trimmer for cracks and breakage. If there is any damage, immediately have the trimmer repaired by a qualified service technician.
- Check the functioning of the on/off switches.
- The ventilation slots must be unobstructed.
- Check the power cord. If there is any damage, have it replaced at a qualified service center.

After every use

- Clean the entire trimmer.
- Clean and lightly oil the cutter.

Storage

- Store the entire trimmer in a safe place in a dry room.

Trouble shooting

The motor will not run:

- No power supply, power cord defective, check fuse.

The motor runs, but the cutter doesn't move: Take the trimmer to a MAKITA service center.

Service

The maintenance and repair of modern hedge trimmers and their safety devices require qualified technical training and a workshop equipped with special tools and test instruments.

All work not described in this Manual must be performed by an authorised MAKITA service centre.

The MAKITA service centres have all the necessary equipment and skilled and experienced personnel, who can work out cost-effective solutions and advise you in all matters.

Repair attempts by third parties or unauthorised persons will void the warranty.

Please contact your nearest service centre (list enclosed).

Spare parts

Reliable long-term operation, as well as the safety of your hedge trimmer, depend among other things on the quality of the spare parts used. Use only original MAKITA parts, marked



Only original spare parts and accessories guarantee the highest quality in material, dimensions, function and safety.

Original spare parts and accessories can be obtained from your local dealer. He will also have the spare parts lists to determine the required spare part numbers, and will be constantly informed about the latest improvements and parts innovations.

Please bear in mind that if parts other than original MAKITA spare parts are used, this will automatically invalidate the MAKITA product guarantee.

Guarantee

MAKITA guarantees the highest quality and will therefore reimburse all costs for replacement of damaged parts resulting from material or production faults occurring within the guarantee period after purchase.

Please note that in some countries special guarantee conditions may exist. If you have any questions, please contact your salesman, who is responsible for the guarantee of the product.

Please note that we cannot accept any responsibility for damage caused by:

- Failure to observe the instructions in the Instruction Manual.
- Non-performance of the required maintenance and cleaning.
- Normal wear and tear.
- The use of unapproved extension power cords.
- The use of force, improper use, misuse or accidents.
- Overheating damage caused by blockage of the ventilation slots.
- Work on the hedge trimmer by unskilled persons or inappropriate repairs.
- Use of unsuitable spare parts or parts other than original MAKITA parts, insofar as they caused the damage.
- Damage related to conditions arising from lease or rent contracts.

Cleaning, servicing and adjustment work is not covered by the guarantee. All repairs covered by the guarantee must be performed by a MAKITA service centre.

Herzlichen Dank für Ihr Vertrauen!

Wir gratulieren Ihnen zu Ihrer neuen MAKITA Heckenschere und sind überzeugt, dass Sie mit dieser modernen Maschine zufrieden sein werden.

Die Modelle UH 4540, 5540, 6540 sind besonders leichte, handliche Heckenscheren mit hoher Leistung und günstigem Leistungsgewicht.

Die ergonomische Gestaltung der Griffe und Bedienelemente sorgen für Bedienungskomfort und weitgehend ermüdungsfreies Arbeiten mit der Heckenschere. Eine Zugentlastung für das Verlängerungskabel ist im Lieferumfang enthalten.

Die Sicherheitsausstattung der Heckenschere UH 4540, 5540, 6540 entspricht dem neuesten Stand der Technik und erfüllt alle nationalen und internationalen Sicherheitsvorschriften. Sie umfasst 3 Sicherheitsgriffe, 2-Hand-Sicherheitsbedienung und eine Schnellstopp-Funktion der Schneidvorrichtung.

Um eine stets optimale Funktion und Leistungsbereitschaft Ihrer Heckenschere zu garantieren und um Ihre persönliche Sicherheit zu gewährleisten, haben wir eine Bitte an Sie:

Lesen Sie vor der ersten Inbetriebnahme diese Betriebsanweisung gründlich durch, und befolgen Sie vor allen Dingen die Sicherheitsvorschriften! Nichtbeachtung kann zu lebensgefährlichen Verletzungen führen!



EU-Konformitätserklärung

Die Unterzeichnenden, Junzo Asada und Rainer Bergfeld, bevollmächtigt von der DOLMAR GmbH, erklären, dass die Geräte der Marke MAKITA,

Typ: 223

UH 4540, UH 5540, UH 6540

hergestellt von DOLMAR GmbH, Jenfelder Str. 38, D-22045 Hamburg, den grundlegenden Sicherheits- und Gesundheitsanforderungen der einschlägigen EU-Richtlinien entsprechen:

EU-Maschinenrichtlinie 98/37/EG,
EU-EMV-Richtlinie 89/336/EWG (geändert durch 91/263/EWG, 92/31/EWG und 93/68/EWG),

EU-Niederspannungsrichtlinie 73/23/EWG (geändert durch 93/68/EWG),

Geräuschemission 2000/14/EG.

Zur sachgerechten Umsetzung der Anforderungen dieser EU-Richtlinien wurden maßgeblich folgende Normen herangezogen: EN 774/A3, EN 50144-1, EN 50144-2-15, EN 55014-1, EN 55014-2, EN 61000-3-2/-3.

Das Konformitätsbewertungsverfahren 2000/14/EG erfolgte nach Anhang V. Der gemessenen Schalleistungspegel (Lwa) beträgt 95 dB(A). Der garantierte Schalleistungspegel (Ld) beträgt 96 dB(A).

Hamburg, den 6.3.2002

Für DOLMAR GmbH

Junzo Asada
Geschäftsführer

Rainer Bergfeld
Geschäftsführer

Verpackung

Ihre MAKITA Heckenschere befindet sich zum Schutz vor Transportschäden in einem Karton. Kartonagen sind Rohstoffe und somit wiederverwendungsfähig oder können dem Rohstoffkreislauf (Altpapierverwertung) zurückgeführt werden.



Inhaltsverzeichnis

EU-Konformitätserklärung	9
Verpackung	9
Symbole	9
Lieferumfang	10
SICHERHEITSHINWEISE	10
Allgemeine Hinweise	10
Persönliche Schutzausrüstung	10
Inbetriebnahme	10-11
Verlängerungskabel	11
Transport und Lagerung	11
Instandhaltung	11
Erste Hilfe	11
Arbeitsverhalten und -technik	12
Tips zum Heckenschneiden	12
Hinweise zum Umweltschutz	12
Technische Daten	13
Teilebezeichnung	13
INBETRIEBNAHME	14
Messerbremse prüfen	14
WARTUNGSARBEITEN	14
Schneidvorrichtung reinigen / pflegen	14
Periodische Wartungs- und Pflegehinweise	14
Störungssuche	14
Werkstattservice, Ersatzteile und Garantie	15
Serviceverzeichnis (siehe Anlage)	

Symbole

Sie werden auf dem Gerät und beim Lesen der Betriebsanweisung auf folgende Symbole stoßen:



Betriebsanweisung lesen und Warn- und Sicherheitshinweise befolgen!



Besondere Vorsicht und Aufmerksamkeit!



Verboten!



Vor Regen und Nässe schützen!



Bei beschädigtem Kabel Netzstecker ziehen!



Netzstecker ziehen!



Doppelt schutzisoliert



Motor ausschalten!



Schutzhandschuhe tragen!



Augen- und Gehörschutz tragen!



Erste Hilfe

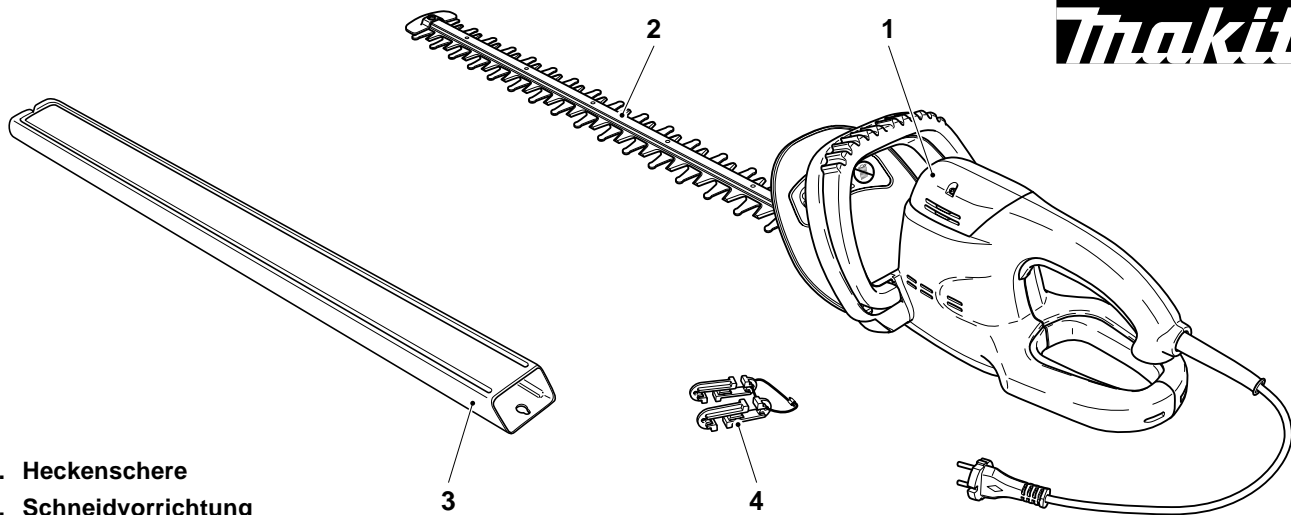


Recycling



CE-Kennzeichnung

Lieferumfang



1. Heckenschere
2. Schneidvorrichtung
3. Koffer
4. Zugschlinge für Anschlusskabel
5. Betriebsanweisung (ohne Abbildung)

Sollte eines der hier aufgeführten Bauteile nicht im Lieferumfang enthalten sein, wenden Sie sich bitte an Ihren Verkäufer!

SICHERHEITSHINWEISE



Allgemeine Hinweise

- Zur Gewährleistung der sicheren Handhabung muss die Bedienperson unbedingt diese Betriebsanweisung lesen, um sich mit der Handhabung der Heckenschere vertraut zu machen. Unzureichend informierte Bediener können sich und andere Personen durch unsachgemässen Gebrauch gefährden.
- Erstbenutzer von Heckenscheren sollten sich durch erfahrenen Heckenscherenbenutzer einweisen lassen.
- Heckenschere nur an Benutzer ausleihen, die Erfahrung mit solchen Geräten haben. Die Betriebsanweisung ist dabei zu übergeben.
- Kinder und Jugendliche unter 18 Jahren dürfen die Heckenschere nicht bedienen. Jugendliche über 16 Jahre sind von diesem Verbot ausgenommen, wenn sie zum Zwecke der Ausbildung unter Aufsicht eines Fachkundigen stehen.
- Das Arbeiten mit der Heckenschere erfordert hohe Aufmerksamkeit.
- Nur in guter körperlicher Verfassung arbeiten. Auch Ermüdung führt zu Unachtsamkeit. Besonders hohe Aufmerksamkeit ist zum Ende der Arbeitszeit erforderlich. Alle Arbeiten ruhig und umsichtig durchführen. Der Bediener ist gegenüber Dritten verantwortlich.
- Niemals unter Einfluss von Alkohol, Drogen oder Medikamenten arbeiten.

Persönliche Schutzausrüstung

- Um beim Arbeiten mit der Heckenschere Verletzungen von Augen, Hand, Fuß sowie Gehörschäden zu vermeiden, müssen die nachfolgend beschriebenen Körperschutzausrüstungen und Körperschuttmittel getragen werden.
- Die **Kleidung** soll zweckmäßig, d. h. eng anliegend, aber nicht hinderlich sein. Keinen Körperschmuck oder Kleidung tragen, die sich an Buschwerk oder Ästen verfangen können. Bei langen Haaren stets Haarnetz tragen!
- Die **Schutzbrille** hält Schnittgut ab. Um Verletzungen der Augen zu vermeiden, ist beim Arbeiten mit der Heckenschere stets eine Schutzbrille zu tragen.

- Zur Vermeidung von Gehörschäden sind geeignete persönliche **Schallschuttmittel** zu tragen. (Gehörschutz, Kapseln, Wachswatte etc.). Oktavbandanalyse auf Anfrage.
- **Arbeitshandschuhe** aus festem Leder gehören zur vorschriftsmässigen Ausrüstung und sind beim Arbeiten mit der Heckenschere ständig zu tragen.
- Beim Arbeiten mit der Heckenschere sind **festе Schuhe** mit griffiger Sohle zu tragen.

Inbetriebnahme

- **Vor Arbeitsbeginn Heckenschere auf einwandfreie Funktion und vorschriftsmässigen betriebssicheren Zustand prüfen!**
- Bei Regen und in nasser oder sehr feuchter Umgebung darf mit der Heckenschere nicht gearbeitet werden, da der Elektromotor nicht wassergeschützt ist. 
- Sollte die Heckenschere feucht sein, darf sie nicht in Betrieb genommen werden.
- Heckenschere nicht in der Nähe von brennbaren Gasen und Stäuben betreiben, da der Motor Funken erzeugt. **Explosionsgefahr!**
- Prüfen Sie, ob Netzspannung und Frequenz den Angaben auf dem Typenschild entsprechen. Max. Vorsicherung 16 A. Die Verwendung eines Fehlerstrom-Schutzschalters oder einer Ableitstrom-Schutzeinrichtung wird empfohlen.
- Sicherstellen, dass während des Betriebes sich im Bereich von 5 Metern keine Kinder oder weitere Personen aufhalten. Achten Sie auch auf Tiere.
- Grundsätzlich darf die Heckenschere nur komplett montiert benutzt werden!
- Vor dem Starten muss der Bediener einen sicheren Stand einnehmen.
- **Die Heckenschere kann nur dann gestartet werden, wenn der Bügelgriff und einer der hinteren Handgriffe fest mit beiden Händen umgefasst sind.** Sie ist für Links- und Rechtshänder ausgelegt und kann ohne Einschränkungen von beiden Seiten bedient werden.

- **Das Festsetzen des Bügelgriff-Sicherheitsschalters und der Handgriff-Sicherheitsschalter ist verboten!**
- Heckenschere nur wie in der Betriebsanweisung beschrieben einschalten.
- Heckenschere sofort ausschalten bei spürbaren Veränderungen im Geräteverhalten.
- Bei Beschädigung oder Durchschneiden der Anschlussleitung sofort Netzstecker ziehen.
- Wenn die Schneidvorrichtung mit einem Zaun oder sonstigen harten Gegenständen in Berührung gekommen ist, sofort Motor ausschalten, Netzstecker ziehen und die Schneidvorrichtung überprüfen.
- **Zur Überprüfung der Schneidvorrichtung, zur Beseitigung von Störungen oder zum Entfernen von eingeklemmtem Schnittgut Heckenschere ausschalten und Netzstecker ziehen.**
- In Arbeitspausen und vor dem Verlassen der Heckenschere ist diese auszuschalten und der Netzstecker zu ziehen. Die Heckenschere ist so abzustellen, dass niemand gefährdet werden kann.

Verlängerungskabel

- Nur spritzwassergeschützte für den Außengebrauch zugelassene und entsprechend gekennzeichnete Verlängerungskabel benutzen.
- Bevorzugen Sie beim Kauf signalfarbene Verlängerungskabel.
- Die Heckenschere ist nach Klasse II VDE 0740 schutzisoliert und darf auch an Steckdosen ohne Schutzkontakte angeschlossen werden.
- Verlängerungskabel stets hinter sich führen!
- Arbeiten immer in der Nähe der Stromquelle beginnen. Hiermit wird erreicht, dass das Verlängerungskabel hinter dem Arbeitsbereich geführt wird.
- Netzkabel grundsätzlich hinter der Bedienperson führen. Darauf achten, dass das Kabel nicht eingeklemmt wird oder mit scharfkantigen Gegenständen in Berührung kommt. Kabel so verlegen, dass niemand gefährdet werden kann.

Achtung: Arbeiten Sie mit erhöhter Aufmerksamkeit, wenn das Verlängerungskabel über die zu bearbeitende Hecke geführt werden muss.

- Leitungsquerschnitt des Verlängerungskabels unbedingt beachten (min. 3 x 1,5 mm²). Bei Verwendung einer Kabelrolle sollte das Kabel vollständig abgewickelt werden. Maximale Kabellänge 30 Meter!

Transport und Lagerung

- **Beim Transport und bei einem Standortwechsel während der Arbeit Netzstecker ziehen.**
- **Niemals die Heckenschere mit laufender Schneidvorrichtung tragen oder transportieren!**
- **Niemals mit den Händen die Schneidvorrichtung anfassen.**
- Beim Transport über eine größere Distanz ist der mitgelieferte Köcher auf jeden Fall aufzusetzen.
- Heckenschere nur am Bügelgriff tragen. Die Schneidvorrichtung zeigt nach hinten.
- Beim Transport im KFZ ist auf sichere Lage der Heckenschere zu achten. Sie darf nur im Kofferraum oder einer vom Fahrer abgetrennten Transportfläche untergebracht sein.



- Die Heckenschere mit aufgesetztem Köcher sicher in einem trockenen Raum lagern. Kindern unzugänglich machen. Die Heckenschere darf nicht im Freien aufbewahrt werden.
- Bei längerer Lagerung und nach Gebrauch sollten Sie die Heckenschere, insbesondere die Schneidvorrichtung, reinigen. Schneidvorrichtung leicht einölen und Köcher aufsetzen. Der im Lieferumfang enthaltene Köcher kann an der Wand befestigt werden. Eine sichere und praktische Aufbewahrung der Heckenschere wird somit ermöglicht.

Instandhaltung

- **Bei allen Wartungsarbeiten Heckenschere ausschalten, Netzstecker ziehen und sichern.**
- Auf einwandfreie und unbeschädigte Schneidvorrichtung ist besonders zu achten.
- Anschlusskabel regelmäßig auf Beschädigungen der Isolierung überprüfen. Bei beschädigtem Kabel Netzstecker ziehen.
- Heckenschere regelmäßig reinigen.
- Bei Beschädigungen des Kunststoffgehäuses umgehend eine fachgerechte Reparatur veranlassen. **Verletzungsgefahr durch Stromschlag!**



Unfallverhütungsvorschriften der zuständigen Berufsgenossenschaft und der Versicherung beachten.

Auf keinen Fall an der Heckenschere bauliche Veränderungen vornehmen. Sie gefährden hierdurch Ihre Sicherheit.

Wartungs- und Instandsetzungsarbeiten dürfen nur soweit ausgeführt werden, wie sie in dieser Betriebsanweisung beschrieben sind. Alle weiteren Arbeiten müssen vom MAKITA Service übernommen werden.

Nur Original MAKITA Ersatzteile und Zubehör verwenden. Bei Verwendung von nicht Original MAKITA Ersatzteilen und Zubehör ist mit erhöhter Unfallgefahr zu rechnen. Bei Unfällen oder Schäden mit nicht Original MAKITA Ersatzteilen und Zubehör entfällt jegliche Haftung.

Erste Hilfe



Für einen eventuell eintretenden Unfall sollte immer ein Verbandskasten nach DIN 13164 am Arbeitsplatz vorhanden sein. Entnommenes Material sofort wieder auffüllen.

Wenn Sie Hilfe anfordern, geben Sie folgende Angaben:

- wo es geschah
- was geschah
- wieviele Verletzte
- welche Verletzungsart
- wer meldet!

Hinweis

Werden Personen mit Kreislaufstörungen zu oft Vibrationen ausgesetzt, kann es zu Schädigungen an Blutgefäßen oder des Nervensystems kommen.

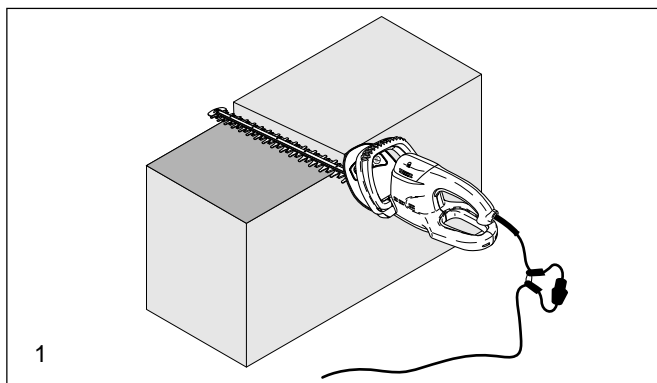
Folgende Symptome können durch Vibrationen an Fingern, Händen oder Handgelenken auftreten: Einschlafen der Körperteile, Kitzeln, Schmerz, Stechen, Veränderung der Hautfarbe oder der Haut. **Werden diese Symptome festgestellt, suchen Sie einen Arzt auf.**

Arbeitsverhalten und -technik

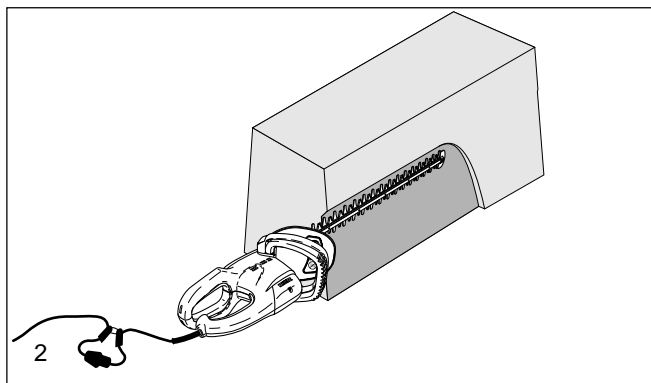
- Nur bei guten Sicht- und Lichtverhältnissen arbeiten.
- Nie auf instabilen Untergründen arbeiten. Auf Hindernisse im Arbeitsbereich achten, Stolpergefahr. Auf sicheren Stand muss laufend geachtet werden.
- Nie auf Leitern stehend arbeiten.
- Nicht zu weit vorgebeugt arbeiten.
- Heckenschere mit einem ausreichenden Abstand zum Körper und mit der Schneidvorrichtung vom Körper weg führen.
- Mit der Heckenschere nur Hecken schneiden. Nicht zum Gras oder Gestrüpp schneiden benutzen.
- Lüftungsschlitze stets freihalten, damit Kühlung des Elektromotors gewährleistet wird.
- Nicht mit der laufenden Schneidvorrichtung den Erdboden berühren. Fremdkörper beschädigen die Schneidvorrichtung und können zu Verletzungen führen.
- Heckenschere nicht zum Abhebeln und Wegschaufeln beim Entfernen von Schnittgut und sonstigen Gegenständen verwenden.
- Es können zwar Zweige mit maximal \varnothing 20 mm geschnitten werden, dies ist aber abhängig von der Holzart, Alter, Feuchtigkeitsgehalt und der Härte des Holzes.
- Sehr dicke Zweige müssen vor dem Schneiden der Hecke mit einer Astschere auf entsprechende Länge gekürzt werden.
- **Mit Schneidarbeiten darf erst begonnen werden, wenn sichergestellt ist, dass**
 - a) sich im Arbeitsbereich keine weiteren Personen oder Tiere aufhalten,
 - b) hindernisfreies Rückweichen für den mit der Schneidarbeit Beschäftigten sichergestellt ist,
 - c) der Fußbereich muss frei von allen Fremdkörpern, Gestrüpp und Ästen sein. Für sicheren Stand sorgen (Stolpergefahr).

Tips zum Hecken schneiden

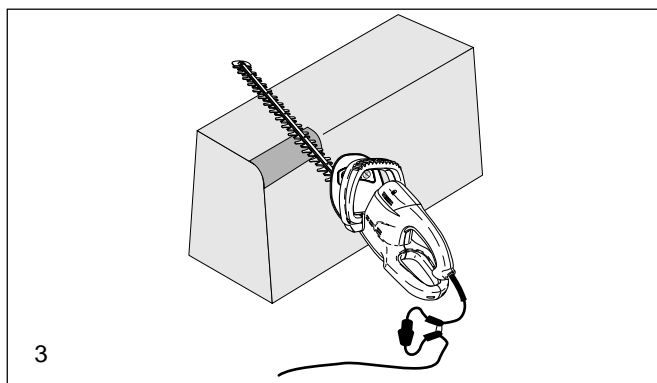
Die nachfolgend beschriebene Vorgehensweise ist sehr häufig anwendbar und erleichtert die Arbeit. Muss eine Hecke sehr stark zurückgeschnitten werden, sollten Sie in zwei Durchgängen schneiden.



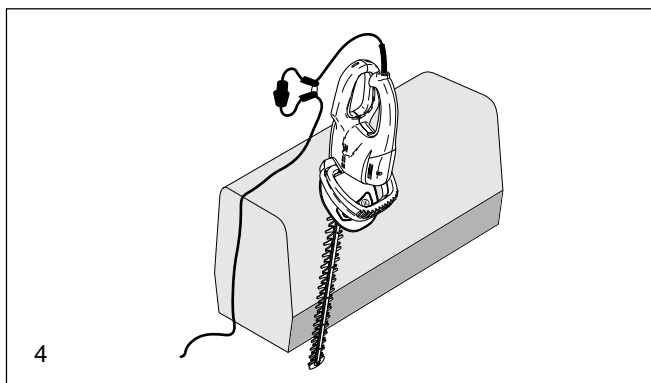
- Die gewünschte Höhe der Hecke wird zuerst geschnitten (1). Schnittgut kann dabei bei einiger Übung durch Pendelbewegung von der Hecke entfernt werden. Um einen geraden Schnitt zu erreichen, wird eine Schnur in Schnitthöhe gespannt.



- Hecke trapezförmig (auf 1 m Höhe ca. 10 cm nach oben hin verjüngen) von unten nach oben schneiden (2). Damit verhindert man, dass das Schnittgut in die noch nicht bearbeiteten Flächen fällt und somit beim nachfolgenden Schneiden stört.



- Obere Kanten (3) der Hecke etwas abrunden, anschließend Bodenbereich (4) der Hecke etwas zurücksetzen.



Der richtige Zeitpunkt zum Schneiden der Hecken:

Laub: Juni und Oktober

Nadel: April und August

Schnellwachsende: ab Mai etwa alle 6 Wochen

Hinweise zum Umweltschutz

Arbeiten mit der Heckenschere sollten nicht in den üblichen Ruhezeiten durchgeführt werden.

Bevor Sie ihre Hecke schneiden, vergewissern Sie sich, dass keine Vögel in der Hecke brüten. Sollten Vögel in der Hecke brüten, verschieben Sie das Schneiden der Hecke oder schneiden Sie in diesem Bereich nicht.

Schnittgut umweltgerecht entsorgen oder kompostieren.

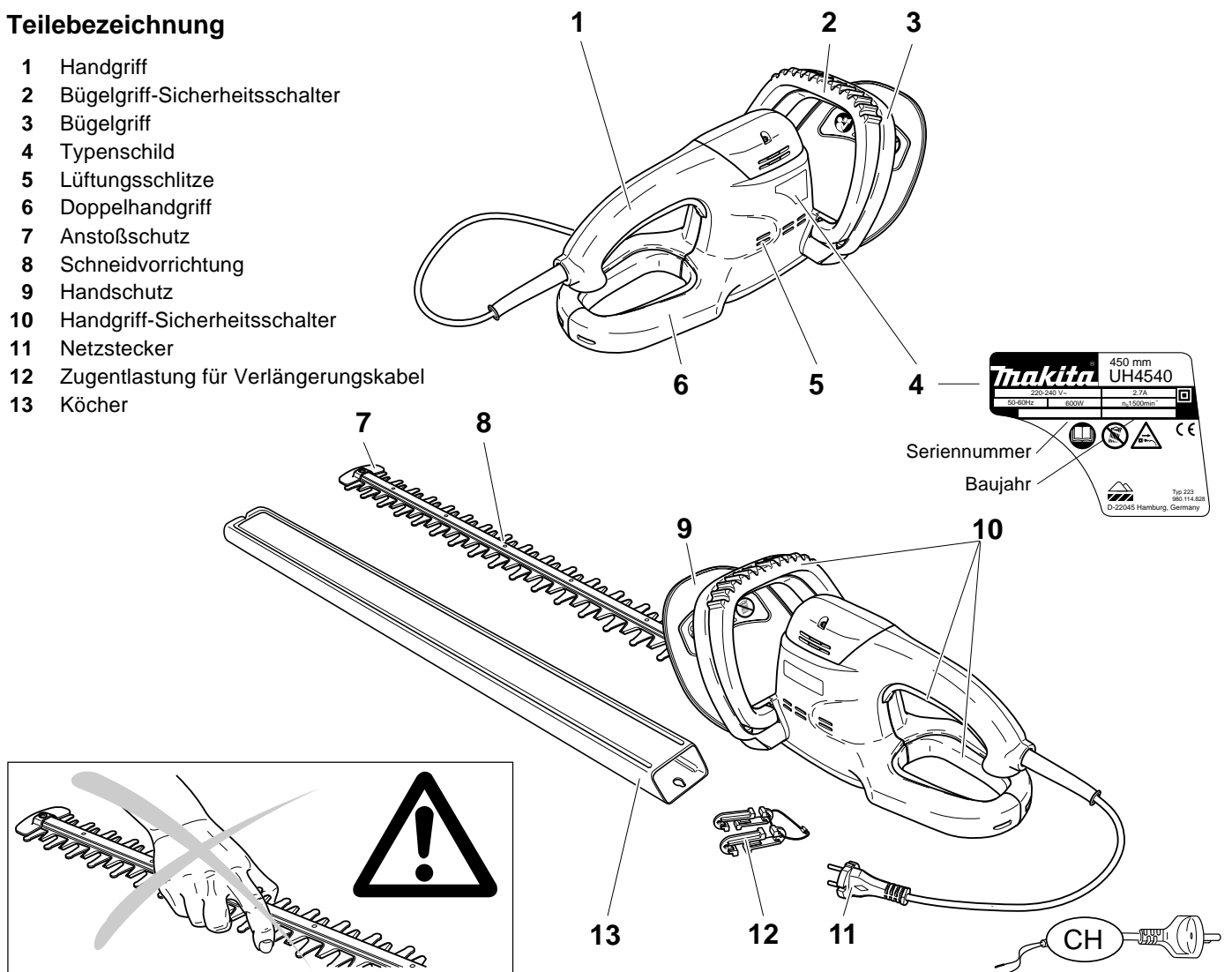
Technische Daten

		UH 4540	UH 5540	UH 6540
Leistungsaufnahme	Watt	600		
Nennspannung	V	220...240~		
Netzfrequenz	Hz	50...60		
Nennstromstärke	A	2,7		
Stromnetzversicherung	A	16		
Kabellänge	cm	30		
Schnittlänge	cm	45	55	65
Hubzahl (n ₀)	n/min	1500		
Hub	mm	18		
Max. Schnittdurchmesser	mm	20		
Messerabstand	mm	26		
Schalldruckpegel L _{pA} am Arbeitsplatz nach EN 50144-1 ¹⁾	dB (A)	85,2	85,2	85,2
Schalleistungspegel L _{WA} nach EN 50144-1 ¹⁾	dB (A)	98,2	98,2	98,2
Schwingbeschleunigung a _{n,w} nach EN 774/A3, EN 50144-2-15 ¹⁾				
- Bügelgriff vorne	m/s ²	3,3 / 1,7	3,3 / 1,7	3,3 / 1,7
- Handgriff hinten	m/s ²	2,6 / 1,0	2,6 / 1,0	2,6 / 1,0
Überlastungsschutz	Typ	Rutschkupplung		
Bremse		mechanisch		
Stopzeit	Sek	0,05		
Gewicht	kg	3,8	4,0	4,1
Funkentstörung/EMV		gemäß EMV-Richtlinie 89/336/EWG und 92/31/EWG		
Schutzisolierung		Klasse II (doppelt schutzisoliert)		
Verlängerungskabel (nicht im Lieferumfang)	Typ	DIN 57282 / HO7RN-F L= max. 30 m, min. 3 x 1,5 mm ²		

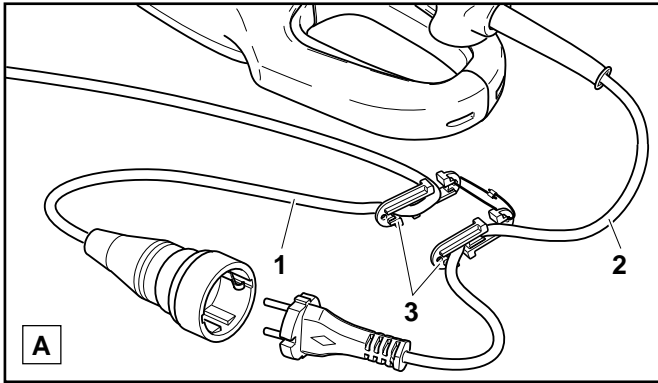
¹⁾ gemessen bei Höchstdrehzahl.

Teilebezeichnung

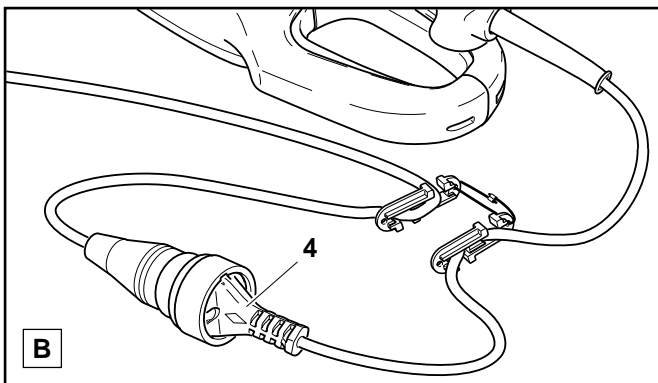
- 1 Handgriff
- 2 Bügelgriff-Sicherheitschalter
- 3 Bügelgriff
- 4 Typenschild
- 5 Lüftungsschlitze
- 6 Doppelhandgriff
- 7 Anstoßschutz
- 8 Schneidvorrichtung
- 9 Handschutz
- 10 Handgriff-Sicherheitschalter
- 11 Netzstecker
- 12 Zugentlastung für Verlängerungskabel
- 13 Köcher



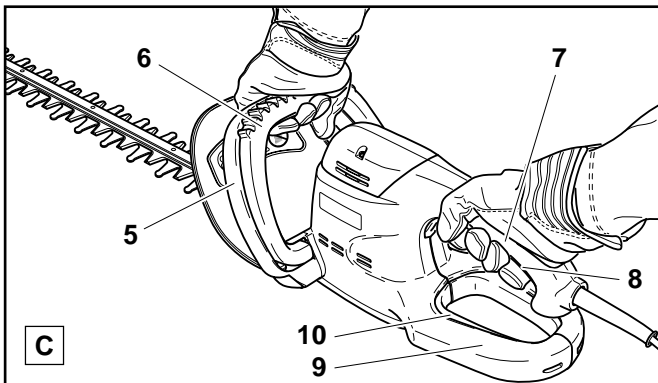
INBETRIEBNAHME



- Verlängerungskabel (A/1) und Anschlusskabel der Heckenschere (A/2) in die Zugentlastung (A/3) einhängen.



- Netzstecker (B/4) mit dem Verlängerungskabel verbinden.



- Bügelgriff (C/5) mit einer Hand umfassen, Bügelgriff-Sicherheitsschalter (C/6) wird betätigt.
- Mit der anderen Hand Handgriff (C/7) umfassen und mit dem Handgriff-Sicherheitsschalter (C/8) Heckenschere in Betrieb setzen.

Hinweis: Um eine einfachere Führung der Heckenschere im Schnitt zu erreichen, kann auch der Doppelhandgriff (C/9) benutzt werden. Die Heckenschere wird dann mit dem Handgriff-Sicherheitsschalter (C/10) in Betrieb setzen.

Achtung: Heckenschere läuft sofort an!

Hinweis: Heckenschere wird nur in Betrieb gesetzt, wenn beide Schalter (C/6 und C/8 bzw. C/6 und C/10 oder auch C/8 und C/10) betätigt werden.

Achtung: Wird die Heckenschere nach Betätigung nur eines Schalters in Betrieb gesetzt, darf auf keinen Fall mit der Arbeit begonnen werden. Bitte MAKITA Fachwerkstatt aufsuchen.

Heckenschere ausschalten: Einen oder beide Schalter entlasten. Die Heckenschere kommt sofort zum Stillstand.

Messerbremse prüfen



Die Prüfung der Messerbremse muss vor jedem Arbeitsbeginn durchgeführt werden!

- Heckenschere wie beschrieben starten.
- Bügelgriff **fest** mit einer Hand umfassen, andere Hand am Handgriff.
- Handgriff-Sicherheitsschalter (C/6, C/8 bzw. C/10) betätigen und wieder loslassen. Die Schneidvorrichtung muss jetzt sofort zum Stillstand kommen.

Achtung: Sollte die Schneidvorrichtung nach dieser Prüfung nicht sofort zum Stillstand kommen, darf auf keinen Fall mit der Arbeit begonnen werden. Bitte MAKITA Fachwerkstatt aufsuchen.

WARTUNGSARBEITEN

Für eine lange Lebensdauer und zur Vermeidung von Schäden müssen die nachfolgend beschriebenen Wartungsarbeiten regelmäßig durchgeführt werden. Garantieansprüche werden nur dann anerkannt, wenn diese Arbeiten regelmäßig und ordnungsgemäß ausgeführt wurden.

ACHTUNG:

Bei allen Arbeiten an der Heckenschere unbedingt Netzstecker ziehen und Schutzhandschuhe tragen!



Reinigung und Pflege der Schneidvorrichtung

Achtung: Besondere Vorsicht beim Reinigen oder Pflegen der Schneidvorrichtung (Verletzungsgefahr!).

Die Schneidvorrichtung ist regelmäßig auf Beschädigung zu überprüfen und mit geeigneter Bürste oder einem Lappen zu reinigen.

Sollte nach längerem Einsatz das Schnittergebnis nicht mehr zufriedenstellend sein, bitte eine Fachwerkstatt aufsuchen.

Periodische Wartungs- und Pflegehinweise

Vor jeder Inbetriebnahme

- Gesamte Heckenschere auf Brüche und Risse überprüfen. Bei Beschädigungen umgehend fachgerechte Reparatur veranlassen.
- Funktionsprüfung der Ein-/Ausschalter.
- Lüftungsschlitze müssen frei sein.
- Anschlusskabel überprüfen. Bei Beschädigung in der Fachwerkstatt erneuern lassen.

Nach jeder Ausserbetriebnahme

- Gesamte Heckenschere reinigen.
- Schneidvorrichtung reinigen und leicht einölen.

Lagerung

- Gesamte Heckenschere sicher in einem trockenem Raum lagern.

Störungssuche

Elektromotor der Heckenschere läuft nicht an:

- keine Stromversorgung, Kabel defekt, Sicherung überprüfen.

Elektromotor der Heckenschere läuft, aber Schneidvorrichtung arbeitet nicht: Unbedingt MAKITA Fachwerkstatt aufsuchen.

Wartung und Reparaturen

Die Wartung und die Instandsetzung von modernen Heckenscheren sowie sicherheitsrelevanten Baugruppen erfordern eine qualifizierte Fachausbildung und eine mit Spezialwerkzeugen und Testgeräten ausgestattete Werkstatt.

MAKITA empfiehlt daher, alle nicht in dieser Betriebsanweisung beschriebenen Arbeiten von einer MAKITA-Fachwerkstatt ausführen zu lassen. Der Fachmann verfügt über die erforderliche Ausbildung, Erfahrung und Ausrüstung, Ihnen die jeweils kostengünstigste Lösung zugänglich zu machen und hilft Ihnen mit Rat und Tat weiter.

Bitte entnehmen Sie die nächstgelegene Fachwerkstatt dem beigefügtem Service-Verzeichnis!

Ersatzteile

Der zuverlässige Dauerbetrieb und die Sicherheit Ihres Gerätes hängt auch von der Qualität der verwendeten Ersatzteile ab. Nur Original MAKITA-Ersatzteile verwenden, gekennzeichnet durch:



Nur die Originalteile stammen aus der Produktion des Gerätes und garantieren daher höchstmögliche Qualität in Material, Maßhaltigkeit, Funktion und Sicherheit.

Original Ersatz- und Zubehörteile erhalten Sie bei Ihrem Fachhändler. Er verfügt auch über die notwendigen Ersatzteillisten um die benötigten Ersatzteilnummern zu ermitteln, und wird laufend über Detailverbesserungen und Neuerungen im Ersatzteilangebot informiert.

Bitte beachten Sie auch, daß bei der Verwendung von nicht Original DOLMAR Teilen eine Garantieleistung durch MAKITA nicht möglich ist.

Garantie

MAKITA garantiert eine einwandfreie Qualität und übernimmt die Kosten für eine Nachbesserung durch Auswechseln der schadhaften Teile im Falle von Material- oder Herstellungsfehlern, die innerhalb der Garantiezeit nach dem Verkaufstag auftreten.

Bitte beachten Sie, daß in einigen Ländern spezifische Garantiebedingungen gültig sind. Fragen Sie im Zweifelsfall Ihren Verkäufer. Er ist als Verkäufer des Produktes für die Garantie verantwortlich.

Wir bitten um Ihr Verständnis, daß für folgende Schadensursachen keine Garantie übernommen werden kann:

- Nichtbeachtung der Betriebsanweisung.
- Unterlassung von notwendigen Wartungs- und Reinigungsarbeiten.
- Verschleiß durch normale Abnutzung.
- Verwendung nicht zugelassener Verlängerungskabel.
- Gewaltanwendung, unsachgemäße Behandlung, Mißbrauch oder Unglücksfall.
- Überhitzungsschaden auf Grund von Verschmutzungen an den Lüftungsschlitzen.
- Eingriffe nicht sachkundiger Personen oder unsachgemäße Instandsetzungsversuche.
- Verwendung ungeeigneter Ersatzteile bzw. nicht Original MAKITA Teile, soweit schadensverursachend.
- Schäden, die auf Einsatzbedingungen aus dem Vermietgeschäft zurückzuführen sind.

Reinigungs-, Pflege- und Einstellarbeiten werden nicht als Garantieleistung anerkannt. Jegliche Garantiearbeiten sind von einem MAKITA Fachhändler auszuführen.

Nous vous remercions de votre confiance!

Félicitations pour votre nouveau taille-haies MAKITA. Nous sommes convaincus que vous serez satisfait de cet appareil moderne.

Les modèles UH 4540, 5540, 6540 sont des taille-haies particulièrement légers et maniables, présentant un haut rendement et un rapport puissance / poids avantageux.

La conception ergonomique des poignées et des éléments de commande assurent le confort d'utilisation et un usage sans fatigue du la taille-haies. Une pièce est fournie contre le débranchement accidentel de la rallonge.

L'équipement de sécurité du la taille-haies UH 4540, 5540, 6540 est à la pointe de la technique et conforme à tous les règlements nationaux et internationaux en matière de sécurité. Il comprend 3 poignées de sécurité, une fonction de commande de sécurité à deux mains et une fonction d'arrêt immédiat pour le dispositif de coupe.

De façon à garantir le fonctionnement optimal et la performance durable de votre taille-haies ainsi que votre sécurité personnelle, nous vous demandons de:

Lire attentivement cette notice avant la première mise en route et d'observer avant tout les prescriptions de sécurité ! La non-observation de ces instructions risque d'entraîner des blessures mortelles!



Déclaration de conformité européenne

Les signataires, Junzo Asada et Rainer Bergfeld, mandatés par DOLMAR GmbH, certifient que les appareils de la marque MAKITA,

Type: 223

UH 4540, UH 5540, UH 6540

fabriqués par DOLMAR GmbH, Jenfelder Str. 38, D-22045 Hamburg, répondent aux exigences générales en matière de sécurité et de santé des directives respectives de l'Union européenne:

Directive U.E. relative aux machines 98/37/CE,
Directive U.E. concernant la compatibilité électromagnétique 89/336/ CEE (modifiée par 91/263/ CEE, 92/31/CEE et 93/68/CEE),
Directive de l'U.E. concernant la basse tension 73/23/ CEE (modifiée par 93/68/ CEE),
Emission sonore 2000/14/CE.

Pour la réalisation adéquate des exigences des directives de l'U.E., ont été consultées essentiellement les normes suivantes: EN 774/A3, EN 50144-1, EN 50144-2-15, EN 55014-1, EN 55014-2, EN 61000-3-2/-3.

La méthode d'évaluation de la conformité 2000/14/CE a été effectuée conformément à l'annexe V. Le niveau acoustique (Lwa) mesuré est de 95 dB(A). Le niveau acoustique (Ld) garanti est de 96 dB(A).

Hambourg, le 6.3.2002

Pour DOLMAR GmbH

Junzo Asada
Président directeur

Rainer Bergfeld
Président directeur

Emballage

Votre taille-haies MAKITA est emballée dans un carton pour la protéger au cours du transport.

Les cartons sont des matières premières recyclables, ils peuvent donc être remis dans le cycle de la matière première (réutilisation des vieux papiers).



Sommaire

Déclaration de conformité européenne	16
Emballage	16
Symboles	16
Fourniture	17
INSTRUCTIONS DE SÉCURITÉ	17
Instructions générales	17
Équipement de protection personnel	17
Mise en route	17-18
Cordons de rallonge	18
Transport et stockage	18
Maintenance	18
Premier secours	18
Comportement et technique de travail	19
Conseils pour tailler les haies	19
Indications sur la protection de l'environnement	19
Caractéristiques techniques	20
Désignation des pièces	20
MISE EN ROUTE	21
Vérifier le frein de lame	21
TRAVAUX DE MAINTENANCE	21
Nettoyer / entretenir le dispositif de coupe	21
Indications de maintenance et d'entretien périodiques	21
Dépistage des défauts	21
Service de réparation, pièces de rechange et garantie ...	22
Liste d'ateliers spécialisé (voir annexe)	

Symboles

Vous rencontrerez les symboles suivants sur l'appareil et dans les instructions d'emploi:



Lire instructions d'emploi et suivre les consignes de sécurité et d'avertissement !



Danger et attention particuliers !



Interdit !



A protéger de la pluie et de l'humidité !



Enlever la fiche de contact en cas d'endommagement du câble !



Enlever la fiche de contact !



Double isolation de protection !



Arrêter le moteur !



Porter des gants de protection !



Porter les lunettes et acoustiques de protection !



Premier secours

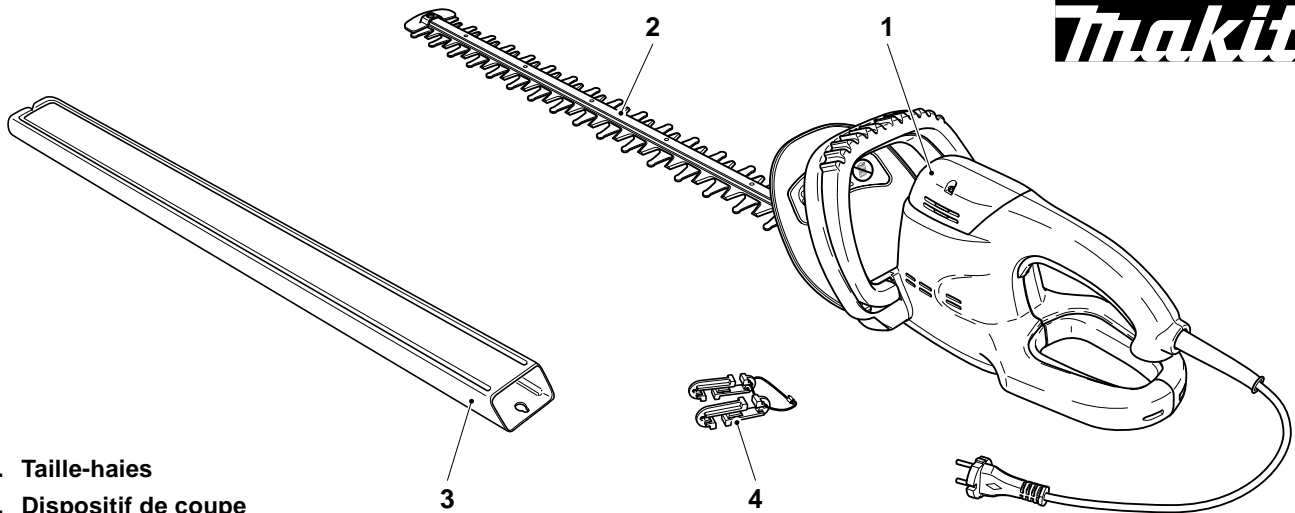


Recyclage



Marquage CE

Fourniture



1. Taille-haies
2. Dispositif de coupe
3. Carquois
4. Pièce contre le débranchement accidentel de la rallonge
5. Instructions d'emploi (sans illustration)

Si un des composants indiqués ici ne devait pas être dans la fourniture, veuillez vous adresser à votre vendeur !

INSTRUCTIONS DE SÉCURITÉ



Instructions générales


- En vue d'une manipulation sûre, la personne utilisant le taille-haies doit impérativement lire le présent mode d'emploi pour se familiariser au maniement de celui-ci. En utilisant le taille-haies de manière incorrecte, l'utilisateur insuffisamment informé et expérimenté risque de se mettre en danger ainsi que d'autres personnes.
- Il est conseillé aux novices de se faire initier par des utilisateurs de taille-haies expérimentés.
- Prêter uniquement le taille-haies à des personnes ayant déjà utilisé de tels appareils. Dans ce cas, les instructions d'emploi doivent être remises à l'emprunteur.
- Les enfants et adolescents de moins de 18 ans ne sont pas autorisés à se servir du taille-haies. Les adolescents au-dessus de 16 ans ne sont pas concernés par cette interdiction si pour des besoins de formation, ils sont sous la direction d'un professionnel.
- Travailler avec un taille-haies requiert une grande attention.
- Ne travailler qu'en bonne condition physique. Une fatigue, par exemple, peut conduire à une inattention. Il faut particulièrement faire attention à la fatigue en fin de journée de travail. Exécuter tous les travaux tranquillement et avec prudence. L'utilisateur est aussi responsable par rapport à autres personnes.
- Ne jamais travailler sous l'effet l'alcool, drogues ou de médicaments.

Équipement de protection personnel

- Pour éviter des blessures à la tête, aux yeux, aux mains, aux pieds ainsi que des lésions de l'ouïe pendant l'utilisation du la taille-haies, il faut porter les vêtements de protection et utiliser les équipements de protection protégeant le corps indiqués ci-dessous.
- Les vêtements doivent s'appliquer judicieusement au corps sans toutefois présenter une gêne. Ne pas porter de bijoux ou de vêtements susceptibles de s'accrocher aux broussailles ou aux branches. Si vous portez des cheveux longs, utilisez un filet.
- Les lunettes de protection protègent contre les éclats de bois. Pour éviter des blessures aux yeux, porter les lunettes de protection en permanence lors de l'utilisation du la taille-haies.

- Pour éviter des dommages auditifs, il faut porter des moyens de protection acoustiques personnels appropriés (casque protège-oreilles (D), capsules, ouate à la cire, etc.). Analyse par bandes d'octaves sur demande.
- Les gants de travail en cuir rigide font partie de l'équipement obligatoire et doivent être toujours portés lors de l'utilisation du la taille-haies.
- Porter des chaussures rigides à semelles antidérapantes lors de l'utilisation du la taille-haies.

Mise en route

- Avant de commencer à travailler, vérifier le fonctionnement impeccable et le bon état du la taille-haies conformes aux instructions de sécurité !
- En cas de pluie ou de forte humidité, il est interdit d'utiliser le taille-haies étant donné que le moteur électrique n'est pas protégé contre l'eau. 
- Si le taille-haies est humide, il ne doit pas être mis en service.
- Ne pas utiliser le taille-haies à proximité de gaz et de poussières inflammables étant donné que le moteur produit des étincelles. **Risque d'explosion !**
- Vérifier si la tension d'alimentation et la fréquence correspondent aux données indiquées sur la plaque signalétique. Fusible de sécurité : 16 A. Il est recommandé d'utiliser un disjoncteur à courant de défaut ou un dispositif de protection contre le courant de fuite.
- S'assurer qu'aucun enfant et qu'aucune autre personne ne se trouve à 5 mètres du lieu d'utilisation. Faire également attention aux animaux !
- Le taille-haies ne peut être utilisé que s'il est complètement monté !
- Avant de mettre le taille-haies en marche, l'utilisateur doit prendre une position stable.
- Démarrer le taille-haies en empoignant bien à deux mains la poignée-étrier et l'une des poignées arrières. Il est conçue aussi bien pour les gauchers que les droitiers et peut être utilisé des deux côtés sans restrictions.

- **Il est interdit de bloquer le commutateur de sécurité de la poignée-étrier et ceux des poignées.**
- Mettre uniquement le taille-haies en marche comme décrit dans le mode d'emploi.
- Arrêter immédiatement le taille-haies en cas de modifications sensibles du fonctionnement de l'appareil.
- Lorsque le câble de raccordement est endommagé ou coupé, débrancher tout de suite l'appareil.
- Si le dispositif de coupe entre en contact avec une clôture ou d'autres objets durs, arrêter immédiatement le moteur, enlever la fiche de contact et vérifier le dispositif de coupe.
- **Afin de vérifier le dispositif de coupe, d'éviter les pannes ou d'enlever les morceaux de bois coincés, arrêter le taille-haies et retirer la fiche de contact.**
- Il faut arrêter le taille-haies et enlever la fiche de contact pendant les pauses de travail et avant de quitter le lieu de travail. Déposer le taille-haies de manière à ne mettre personne en danger.

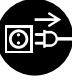

Câbles de rallonge

- N'utiliser que des câbles de rallonge protégés contre les éclaboussures d'eau, autorisés pour l'usage extérieur et caractérisés en conséquence.
- Acheter de préférence des câbles de rallonge de couleur lumineuse.
- Le taille-haies est isolé conformément à la classe II VDE 0740 et peut être connecté à des prises sans contacts de protection.
- Tirer toujours derrière soi le câble de rallonge !
- Commencer toujours à travailler à proximité de la source de courant. Ceci permet de conduire le câble de rallonge derrière la zone de travail.
- Conduire impérativement la fiche de contact derrière soi. Veiller à ce que le câble ne se coince pas ou n'entre pas en contact avec des objets à angles vifs. Poser le câble de manière à ne mettre personne en danger.

Attention: Travaillez très attentivement lorsque le câble de rallonge doit être conduit au-dessus de la haie à couper.


- Veiller strictement à la section métallique du câble de rallonge (min. 3 x 1,5 m²). En cas d'utilisation d'un rouleau de câble, le câble doit être complètement enroulé. Longueur de câble maximale 30 mètres !

Transport et stockage

- **Retirer la fiche de contact pendant le transport et lors d'un changement de lieu pendant le travail.** 
- **Ne jamais porter ou transporter le taille-haies pendant la marche du dispositif de coupe !**
- **Ne jamais toucher le dispositif de coupe avec les mains.**
- Poser impérativement le carquois fourni lors du transport sur une assez longue distance. 
- Ne porter le taille-haies que par la poignée-étrier. Le dispositif de coupe est orienté vers le bas.
- Veiller à une position stable du la taille-haies lors du transport en voiture. Il ne doit être logé que dans le coffre ou sur une surface de transport séparée du conducteur.

- Stocker le taille-haies avec précaution dans une pièce non humide, le carquois doit reposer sur le sol. Ne pas le laisser à la portée des enfants. Le taille-haies ne doit pas être stocké à l'extérieur.
- Il est conseillé de nettoyer le taille-haies, en particulier le dispositif de coupe, en cas de stockage prolongé et après usage. Lubrifier légèrement le dispositif de coupe et poser le carquois. Le carquois fourni peut être fixé au mur, ceci permettant ainsi une conservation sûre et pratique du taille-haies.

Maintenance

- **Pendant tous les travaux d'entretien, arrêter le taille-haies, retirer la fiche de contact et assurer le taille-haies.**
- Veiller particulièrement à ce que le dispositif de coupe ne soit pas endommagé et que son fonctionnement soit impeccable.
- Vérifier régulièrement à ce que l'isolement du câble de connexion ne soit pas détérioré. En cas d'endommagement du câble, retirer la fiche de contact. 
- Nettoyer le taille-haies à intervalles réguliers.
- Lorsque le carter en plastique est endommagé, le faire immédiatement réparer par un atelier qualifié. **Risque de blessure par électrochoc !**

Respecter les prescriptions de prévoyance contre les accidents de l'association professionnelle correspondante et de l'assurance.

Ne modifiez en aucun cas la construction du taille-haies pour ne pas compromettre votre sécurité.

Les travaux de maintenance et de réparation à exécuter sont limités à ceux précisés dans la notice d'emploi. Tous les autres travaux doivent être effectués par le Service Après Vente de MAKITA.

N'utilisez que des pièces de rechange d'origine MAKITA et des accessoires conseillés par MAKITA.

En utilisant des pièces de rechange qui ne sont pas d'origine MAKITA ou des accessoires non conseillés, le risque d'accident est plus élevé. MAKITA ne pourra être tenu responsable en cas d'accidents ou de dommages avec des pièces de rechange ou accessoires n'étant pas d'origine.

Premier secours



On devra toujours disposer sur le lieu de travail d'une boîte de secours pour le cas d'un éventuel accident. Les produits prélevés doivent immédiatement être remplacés.

Si vous appelez les secours, veuillez indiquer:

- le lieu de l'accident
- ce qui s'est passé
- le nombre de blessés
- le type de blessures
- le nom du demandeur

REMARQUE

Des dérégulations au niveau des vaisseaux sanguins ou du système nerveux peuvent se produire chez des personnes souffrant de troubles circulatoires et trop souvent soumises à des vibrations.

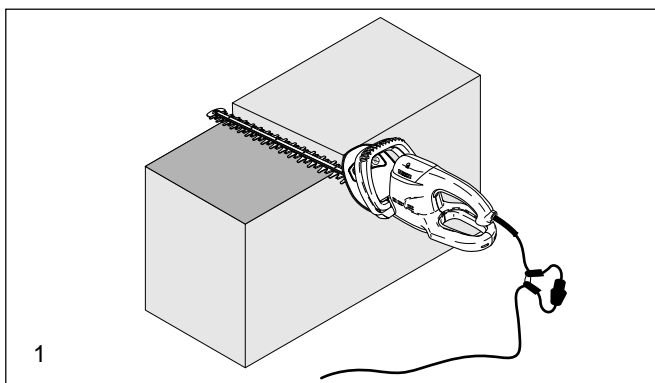
Les symptômes pouvant apparaître à la suite de vibrations au niveau des doigts, mains ou articulations sont les suivants: engourdissement de membres corporels, chatouillement, douleurs, points, changement du teint ou de la peau. **Si ce genre de symptômes apparaissent, consultez un médecin.**

Comportement et technique de travail

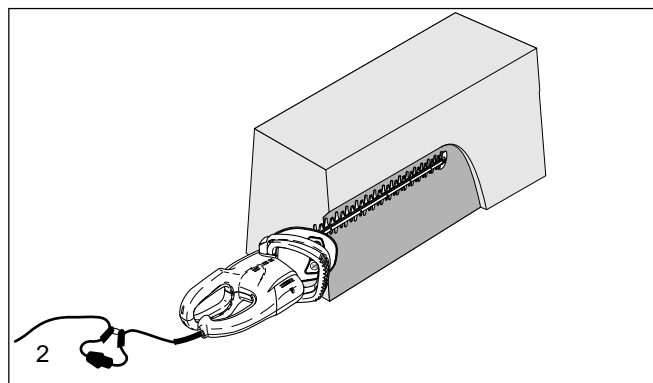
- Ne travailler que sous de bonnes conditions de visibilité et d'éclairage.
- Ne jamais travailler sur un fondement instable. Faire attention aux obstacles dans la zone de travail (risque de trébucher). Continuellement veiller à avoir une assise solide et sûre.
- Ne jamais travailler debout sur une échelle.
- Ne jamais travailler penché trop vers l'avant.
- Porter le taille-haies suffisamment éloigné du corps et le dispositif de coupe n'étant pas orienté en direction du corps.
- Avec le taille-haies, tailler uniquement les haies. Ne pas l'utiliser pour couper l'herbe ou les broussailles.
- Laisser la fente d'aération toujours libre pour ne pas empêcher le refroidissement du moteur électrique.
- Ne jamais toucher le sol le dispositif de coupe étant en marche. Tout corps étranger détériore le dispositif de coupe et risque de causer des blessures.
- Ne pas utiliser la taille-haies pour soulever et enlever les morceaux de bois et autres objets éventuels.
- Il est possible de couper des branches d'un diamètre max. de 20 mm, cela en fonction du type, de l'âge, de la teneur en humidité et de la dureté du bois.
- Les branches très épaisses doivent être raccourcies avec un coupe-branche à la longueur adéquate avant de les couper avec la taille-haies.
- **Les coupes ne peuvent être effectuées à condition**
 - a) qu'aucune autre personne ou qu'aucun animal ne se trouve dans la zone de travail,
 - b) que la personne réalisant la coupe puisse reculer sans obstacle.
 - c) que la zone des pieds ne soit pas gênée par des corps étrangers, broussailles et branches. Veiller à prendre une position stable (risque de buter).

Conseils pour tailler les haies

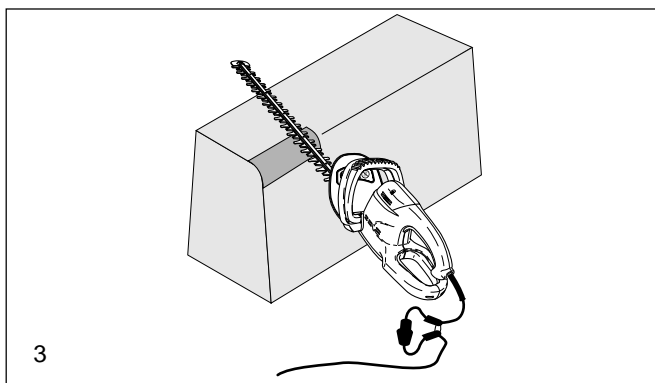
La technique décrite ci-après peut être appliquée très fréquemment et facilite le travail. Si une haie doit être fortement raccourcie, nous vous conseillons de le faire en deux étapes.



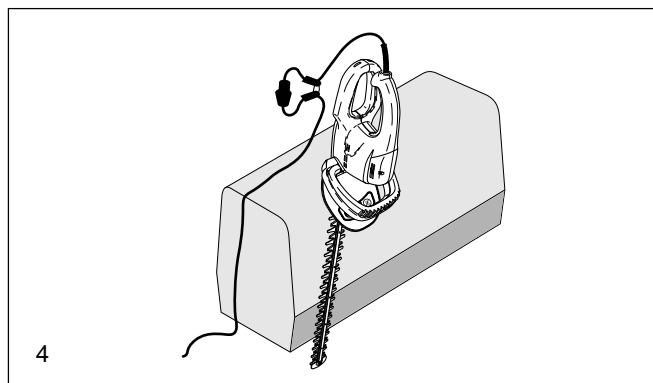
- Couper d'abord la haie à la hauteur désirée (1). Il est possible d'enlever des morceaux de bois de la haie par un mouvement de bascule. Pour obtenir une coupe droite, tendre un cordon à la hauteur de la coupe.



- Couper la haie en trapèze de bas en haut (diminuer à 1 m d'hauteur, env. 10 cm vers le haut) (2). Ceci permet d'empêcher que les morceaux de bois tombent dans les zones qui n'ont pas encore été coupées et gênent la coupe suivante.



- Arrondir légèrement les bords supérieurs (3) de la haie, ensuite couper légèrement le bas (4) de la haie vers l'arrière.



Le meilleur moment pour la coupe des haies :

Feuillage :	juin et octobre
Conifère :	avril et août
Haies poussant vite :	à partir de mai tous les 6 semaines env.

Indications sur la protection de l'environnement

Il est conseillé de ne pas travailler avec le taille-haies aux heures de repos habituelles.

Avant de tailler une haie, assurez-vous qu'aucun oiseau ne couve dans la haie. Dans le cas où un oiseau couve dans la haie, reportez la coupe de la haie ou ne coupez pas dans cette zone.

Éliminer ou composter les morceaux de bois de manière écologique.

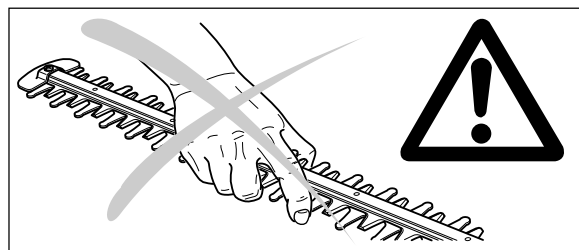
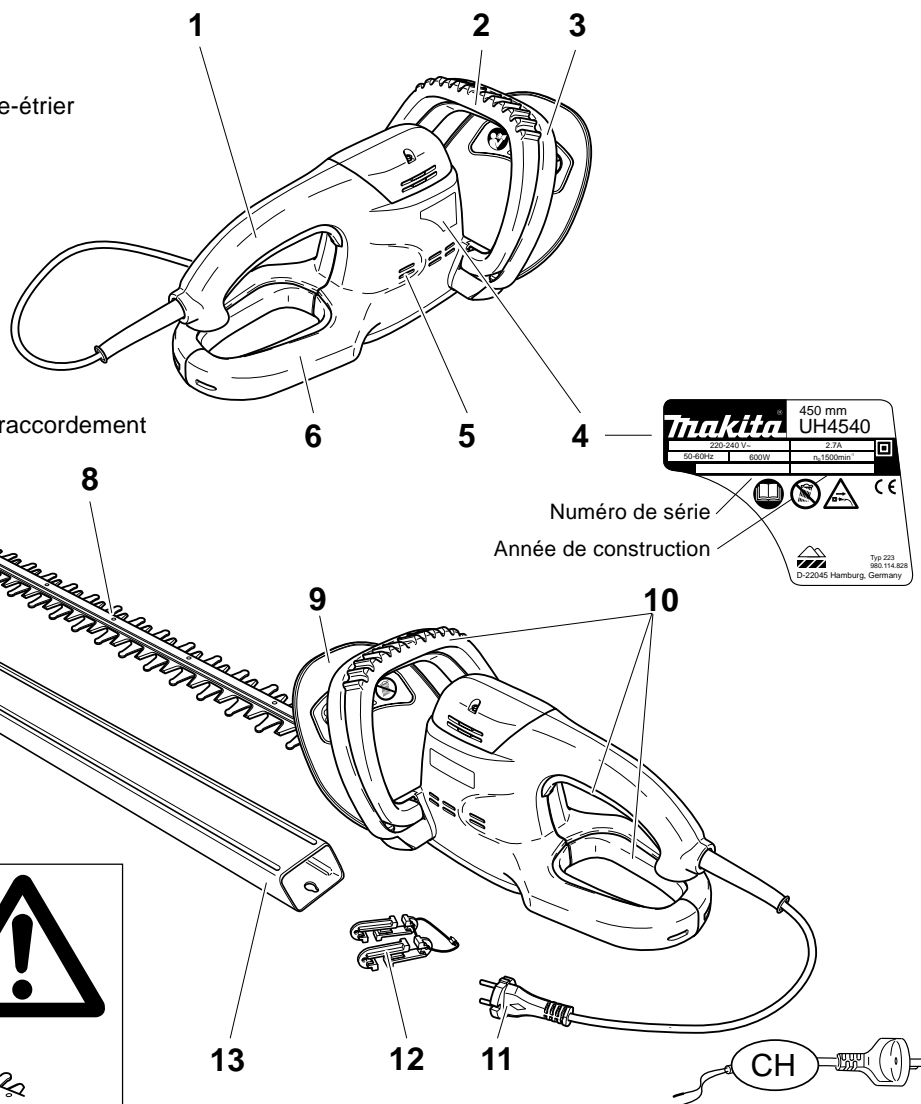
Caractéristiques techniques

		UH 4540	UH 5540	UH 6540
Puissance absorbée	Watt	600		
Tension nominale	V	220...240~		
Fréquence du secteur	Hz	50...60		
Courant nominal	A	2,7		
Fusible de sécurité du réseau	A	16		
Longueur du câble	cm	30		
Longueur de coupe	cm	45	55	65
Nombre de courses (n _o)	n/min	1500		
Course	mm	18		
Diamètre de coupe maximal	mm	20		
Ecart de lame	mm	26		
Niveau sonore L _{pA} au poste de travail selon EN 50144-1 ¹⁾	dB (A)	85,2	85,2	85,2
Puissance sonore L _{WA} selon EN 50144-1 ¹⁾	dB (A)	98,2	98,2	98,2
Accélération d'oscillation a _{h,w} selon EN 774/A3, EN 50144-2-15 ¹⁾				
- poignée-étrier avant	m/s ²	3,3 / 1,7	3,3 / 1,7	3,3 / 1,7
- poignée arrière	m/s ²	2,6 / 1,0	2,6 / 1,0	2,6 / 1,0
Protection contre les surcharges	Type	Accouplement à glissement		
Frein		mécanique		
Temps d'arrêt	sec.	0,05		
Poids	kg	3,8	4,0	4,1
Antiparasitage/CEM		suivant directive CEM 89/336/CEE et 92/31/CEE		
Isolation de protection		classe II (double isolation de protection)		
Câbles de rallonge (non livré avec le taille-haies)	Type	DIN 57282 / HO7RN-F L= max. 30 m, min. 3 x 1,5 mm ²		

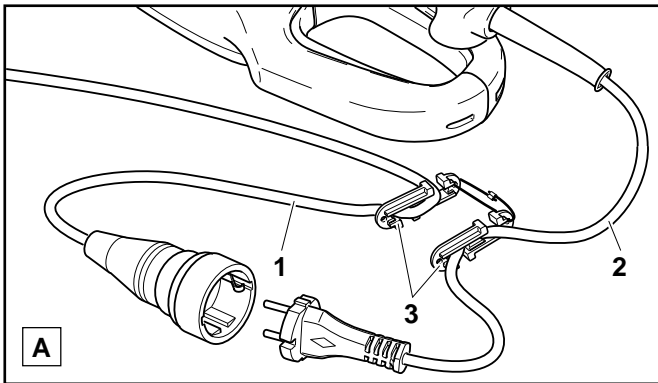
¹⁾ mesuré à la vitesse maximale

Désignation des pièces

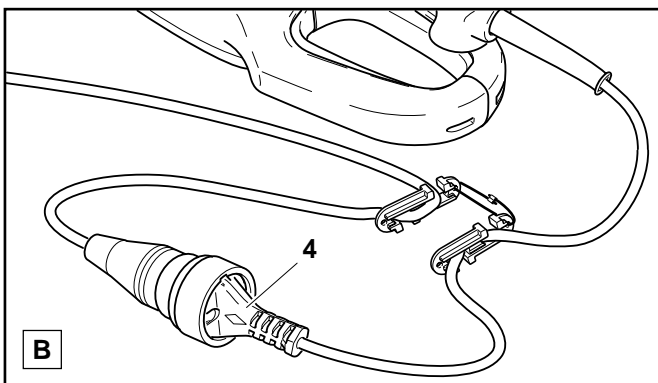
- 1 Poignée
- 2 Commutateur de sécurité de poignée-étrier
- 3 Poignée-étrier
- 4 Plaque signalétique
- 5 Fente d'aération
- 6 Poignée double
- 7 Protection anti-heurt
- 8 Dispositif de coupe
- 9 Protège-main
- 10 Commutateur de sécurité de poignée
- 11 Fiche de contact
- 12 Décharge de traction pour câble de raccordement
- 13 Carquois



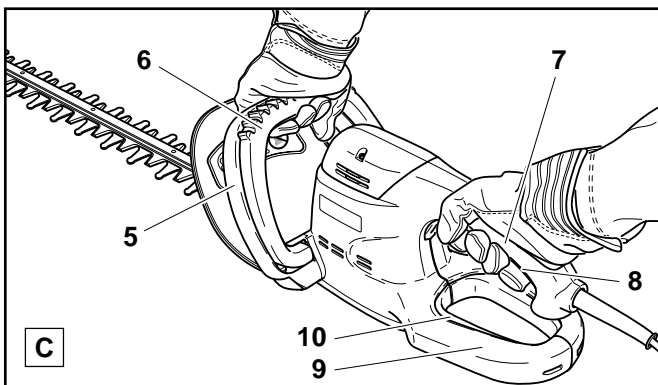
MISE EN SERVICE



- Introduire le cordon de rallonge (A/1) et le cordon d'alimentation du taille-haies (A/2) dans la pièce anti-débranchement (A/3).



- Relier la fiche de contact (B/4) au câble de rallonge.



- Empoigner la poignée-étrier (C/5) d'une main, actionner le commutateur de sécurité de la poignée-étrier (C/6).
- Empoignée l'autre poignée (C/7) de l'autre main et mettre la taille-haies en service au moyen du commutateur de sécurité de poignée (C/8).

Note : La poignée double (C/9) peut être aussi utilisée pour faciliter le guidage du taille-haies. Il est alors mis en marche au moyen du commutateur de sécurité de la poignée (C/10).

Attention : Le taille-haies démarre aussitôt !

Note : Mettre le taille-haies en marche uniquement en actionnant les deux commutateurs (C/6 et C/8 ou C/6 et C/10 ou bien C/8 et C/10).

Attention : Si le taille-haies est mis en service après n'avoir actionné qu'un seul commutateur, il est interdit de commencer à travailler. Consulter un atelier spécialisé MAKITA.

Mettre le taille-haies hors service : repousser un ou les deux commutateurs. Le taille-haies s'immobilise immédiatement.

Vérifier le frein de couteau



Le frein de couteau doit être vérifié à chaque fois avant de commencer à travailler !

- Démarrer le taille-haies comme décrit.
- Empoigner solidement la poignée-étrier d'une main, l'autre main entourant la poignée.
- Actionner le commutateur de sécurité de poignée (C/6, C/8 ou C/10) et le relâcher. Le dispositif de coupe doit maintenant s'immobiliser aussitôt.

Attention : Au cas où le dispositif de coupe ne s'arrête pas immédiatement après cette vérification, il est strictement interdit de commencer à travailler. Consulter un atelier spécialisé MAKITA.

TRAVAUX DE MAINTENANCE

Pour obtenir une longue durée de vie et pour éviter des détériorations, il faut effectuer régulièrement les travaux de maintenance décrits ci-après. Des demandes en garantie ne pourront être acceptées que si les travaux ont été effectués régulièrement et d'une façon ordonnée.

Attention :

Pour tous les travaux effectués sur le taille-haies, il est impératif d'enlever la fiche de contact et de porter des gants de protection !



Nettoyage et entretien du dispositif de coupe

Attention : Une précaution particulière est requise lors du nettoyage ou de l'entretien du dispositif de coupe (risque de blessure !).

Vérifier régulièrement si le dispositif de coupe n'est pas endommagé et le nettoyer avec une brosse adéquate ou un chiffon.

Au cas où, après une utilisation prolongée, les résultats de coupe n'étaient plus satisfaisants, veuillez consulter un atelier spécialisé.

Consignes de maintenance et d'entretien périodiques

Avant toute mise en service

- Vérifier si l'ensemble de la taille-haies ne présente pas de cassures et de fissures. En cas de détériorations, faire en sorte que l'appareil soit réparé par un atelier spécialisé
- Vérification du fonctionnement des boutons marche/arrêt.
- Les fentes d'aération ne doivent pas être obstruées.
- Vérifier les câbles de connexion. En cas de détérioration, les faire remplacer dans un atelier spécialisé.

Après toute mise en service

- Nettoyer l'ensemble du taille-haies.
- Nettoyer et lubrifier légèrement le dispositif de coupe.

Stockage

- Stocker l'ensemble du taille-haies avec précaution dans une pièce à l'abri de l'humidité.

Détection des pannes

Le moteur électrique ne démarre pas :

- pas d'alimentation en courant, câbles défectueux, vérifier le coupe-circuit.

Le moteur électrique démarre, mais le dispositif de coupe ne fonctionne pas : Consulter impérativement un atelier spécialisé MAKITA.

Maintenance et réparations

L'entretien et la maintenance des taille-haies modernes ainsi que les composants importants en matière de sécurité exigent une qualification professionnelle et un atelier équipé d'un outillage spécial et d'appareils de contrôle.

Tous les travaux qui ne sont pas décrits dans le présent mode d'emploi doivent être effectués par un service de réparation MAKITA.

Le spécialiste dispose de la formation, de l'expérience et des équipements nécessaires pour vous apporter chaque fois la solution économique la plus avantageuse et vous offre une aide d'assistance en pratique et en conseil.

Tout recours à la garantie s'annule en cas de tentatives de réparation effectuées par toute personne tierce ou des personnes non autorisées.

Veuillez relever sur la liste des points SAV ci-jointe l'atelier spécialisé le plus proche de chez vous.

Pièces de rechange

Le fonctionnement permanent fiable et la sécurité de votre appareil dépendent aussi de la qualité des pièces de rechange utilisées. N'utilisez que des pièces de rechange d'origine MAKITA, signalées par :



Seules les pièces d'origine proviennent de la chaîne de production de l'appareil et vous assurent donc la qualité optimale du matériau, du respect des dimensions, fonctionnement et de la sécurité.

Les pièces accessoires et de rechange d'origine vous sont proposées par votre vendeur spécialisé. Il dispose des listes de pièces de rechange nécessaires pour déterminer le numéro de la pièce de rechange nécessaire, et vous informera à l'usage et à mesure des améliorations de détail et des nouveautés dans l'offre des pièces de rechange.

Veuillez aussi noter, qu'en utilisant des pièces qui ne sont pas d'origine MAKITA vous perdez tout droit à la garantie de l'organisation MAKITA.

Garantie

MAKITA garantit une qualité irréprochable et supporte les frais pour une amélioration par remplacement des pièces défectueuses dans le cas de défauts de matériel ou de fabrication qui se présentent dans le délai de garantie après le jour de vente.

Veuillez noter que dans certains pays, il existe des conditions de garantie spécifiques. Adressez vous, en cas de doute, à votre vendeur. En tant que vendeur du produit, il doit vous assurer la garantie.

Nous vous prions de comprendre que nous ne pouvons pas assurer la garantie pour les causes de détériorations suivantes:

- Non respect de la notice d'emploi
- Non exécution des travaux de maintenance et réparations nécessaires
- Usure normale
- Utilisation des câbles de rallonge non autorisés.
- Forçage, traitement non conforme, emploi non autorisé ou cas d'accidents
- Dommage provoqué par surchauffe en raison de l'encrassement des fentes d'aération.
- Interventions de personnes non compétentes ou essais de réparations non conformes.
- Utilisation de pièces de rechange non appropriées resp. de pièces non d'origine MAKITA, dans la mesure où elles sont sources de détériorations.
- Détériorations provenant de conditions d'utilisation du magasin de location.

Les travaux de nettoyage, d'entretien et de réglage ne sont pas reconnus comme prestations de garantie. Tout travail au titre de la garantie est à effectuer par le vendeur spécialiste MAKITA.

Agradecemos su confianza

Le felicitamos por la adquisición de su nuevo cortasetos MAKITA y esperamos que esta moderna máquina satisfaga plenamente sus expectativas.

Los modelos UH 4540, 5540, 6540 son cortasetos especialmente ligeros y manuales, de gran potencia y con un ventajoso peso por unidad de potencia.

La configuración ergonómica de los asideros y elementos de mando brindan un manejo confortable y un trabajo descansado con el cortasetos. Un dispositivo de contratracción para el cable de extensión forma parte del equipo suministrado.

El equipamiento de seguridad de los cortasetos UH 4540, 5540, 6540 responde al más actual estado de la técnica y cumple con todas las normativas de seguridad nacionales e internacionales. Incluye 3 asideros de seguridad, mando de seguridad tipo dos manos, y una función de parada instantánea del dispositivo cortador.

A efectos de garantizar el óptimo funcionamiento y rendimiento de su cortasetos y para su propia seguridad, le pedimos que preste mucha atención a lo siguiente:

Es indispensable leer con mucha atención las instrucciones de manejo antes de utilizar la motosierra por primera vez. ¡Preste especial atención a las recomendaciones de seguridad! ¡La no observación de estas instrucciones puede ocasionar lesiones con peligro de muerte!



Declaración de conformidad UE

Los abajo firmantes, Junzo Asada y Rainer Bergfeld, apoderados por DOLMAR GmbH, declaran que los equipos de marca MAKITA,

Tipo: 223

UH 4540, UH 5540, UH 6540

fabricados por DOLMAR GmbH, Jenfelder Str. 38, D-22045 Hamburgo, responden a las exigencias básicas de seguridad y sanidad de las directivas pertinentes de la UE:

Directiva UE sobre máquinas 98/37/ CE,

Directiva UE sobre compatibilidad electromagnética 89/336/ CEE (modificada mediante 91/263 CEE, 92/31 CEE y 93/68 CEE),

Directiva UE sobre baja tensión 73/23 CEE (modificada mediante 93/68/ CEE),

Emisión de ruidos 2000/14/EG.

Para la implementación adecuada de las exigencias de estas directivas UE se han aplicado en forma determinante las siguientes normas: EN 774/A3, EN 50144-1, EN 50144-2-15, EN 55014-1, EN 55014-2, EN 61000-3-2-3.

El procedimiento de comprobación de conformidad 2000/14/ EG fué realizado según el anexo V. El nivel medido de la potencia de sonido marca (Lwa) 95 dB(A). El nivel garantizado de la potencia de sonido marca (Ld) 96 dB(A).

Hamburgo, 6.3.2002

Por DOLMAR GmbH

Junzo Asada
Gerente

Rainer Bergfeld
Gerente

Embalaje

Su cortasetos MAKITA se suministra en un cartón que lo protege de daños de transporte. Cartonajes son una materia prima que se puede reci-clar (regeneración de papelote) o utilizar nuevamente.



Indice

Declaración de conformidad UE	23
Embalaje	23
Símbolos	23
Extensión del suministro	24
RECOMENDACIONES DE SUGURIDAD	24
Recomendaciones generales	24
Accesorios para su protección	24
Puesta en marcha	24-25
Cable de prolongación	25
Transporte y almacenamiento	25
Mantenimiento	25
Los primeros auxilios	25
Comportamiento/Método de trabajar	26
Consejos para cortar setos	26
Cuidado del medio ambiente	26
Datos técnicos	27
Denominación de los componentes	27
PUESTA EN MARCHA	28
Control del freno de cuchillas	28
MANTENIMIENTO	28
Limpiar/cuidar el dispositivo de corte	28
Instrucciones para el mantenimiento regular	28
Localización de averías	28
Servicio, piezas de repuesto y garantía	29
Estaciones de servicio (ver anexo)	

Símbolos

En el equipo y durante la lectura de las instrucciones de manejo, Ud. se encontrará con los siguientes símbolos:



¡Leer las instrucciones de manejo y observar las advertencias e instrucciones de seguridad!



¡Cuidado y atención especiales!



¡Prohibido!



¡Proteger contra lluvia y humedad!



¡Desconectar si el cable tiene un daño!



¡Desconectar de la red!



Aislamiento de protección doble



¡Parar el motor!



¡Llevar guantes protectores!



¡Usar protección de ojos y del oído!



Los primeros auxilios

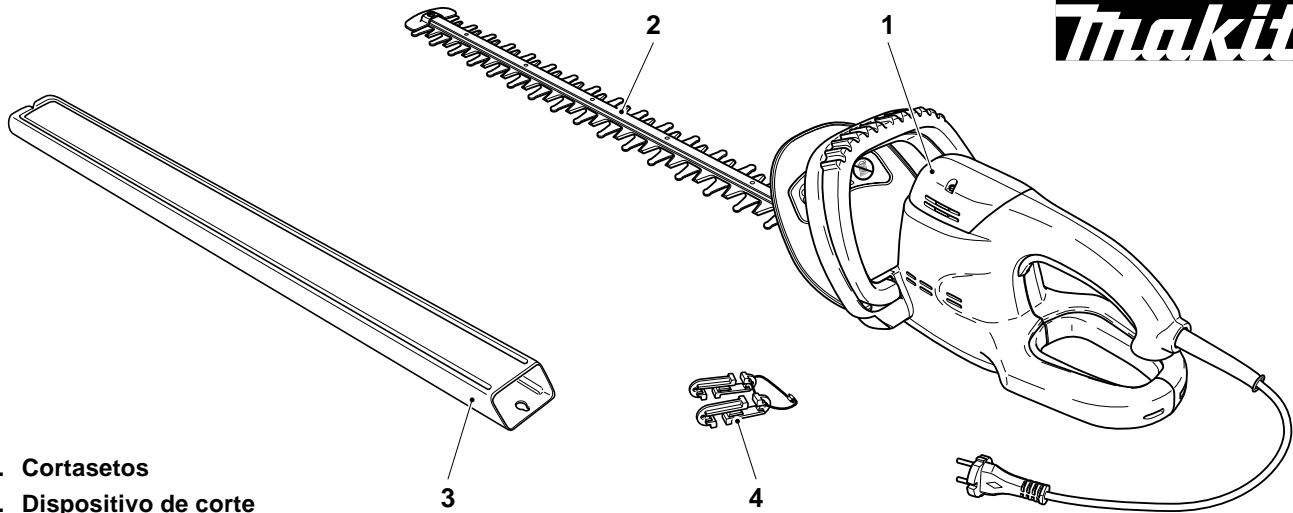


Reciclaje



Signo CE

Extensión del suministro



1. Cortasetos
2. Dispositivo de corte
3. Carcaj
4. Descarga de tracción para el cable de conexión
5. Instrucciones de manejo (no ilustradas)

Si uno de los componentes indicados en la lista no está incluido en la extensión del suministro, póngase en contacto con su vendedor.

RECOMENDACIONES DE SEGURIDAD



Recomendaciones generales

- Para garantizar un manejo seguro, es absolutamente necesario que el operador lea estas instrucciones de servicio a efectos de familiarizarse con el cortasetos. Operadores no bien informados pueden arriesgar su seguridad y la de otras personas si manejan la motosierra inadecuadamente.
- Los operadores que utilicen por primera vez el cortasetos deberían instruirse con una persona experimentada en su manejo.
- Prestar el cortasetos únicamente a personas experimentadas en manejarlo. Adjuntar las instrucciones de manejo.
- Niños y menores de menos de 18 años no deben utilizar el cortasetos. Exceptuados de esta prohibición son menores de más de 16 años si trabajan con el cortasetos por razones de formación y están bajo la vigilancia de un perito.
- El trabajo con el cortasetos requiere mucha atención.
- Trabajar sólo en buen estado físico. Cansancio corporal también causa descuido. Al fin de una jornada la atención debe ser especialmente grande. Efectuar todos trabajos con calma y cuidado. El operador es responsable para la seguridad de otras personas.
- Nunca trabajar bajo la influencia de alcohol, drogas o medicamentos.

Accesorios para su protección

- A efectos de evitar heridas en los ojos, las manos, los pies y daños del oído durante el trabajo con el cortasetos, deben llevarse los equipos y elementos de protección personal descritos a continuación.
- Llevar ropa adecuada, es decir ropa que es ajustada al cuerpo pero no inconveniente. No llevar joyas o prendas que pudieran engancharse en matas o ramas. Recoger cabellos largos con una redecilla.
- Las antiparras de seguridad protegen contra las piezas cortadas. Para evitar lesiones en los ojos, siempre deberán llevarse antiparras de seguridad durante el trabajo con el cortasetos.

- Para evadir defectos del oído, llevar apropiados medios de protección contra el ruido (protección de los oídos (3), cápsulas, algodón encerado etc.). Análisis de bande de octava, a pedido.
- Los guantes de trabajo de cuero sólido forman parte del equipo reglamentario y siempre deben llevarse durante el trabajo con el cortasetos.
- Durante el trabajo con el cortasetos deben llevarse zapatos sólidos con suela antideslizante.

Puesta en marcha

- Antes de iniciar el trabajo debe comprobarse el funcionamiento impecable y el estado reglamentario de funcionamiento seguro del cortasetos.
- No debe trabajarse con el cortasetos durante la lluvia ni en un entorno muy húmedo, ya que el motor eléctrico no está protegido contra agua.
- Si el cortasetos estuviera húmedo, no deberá ponerse en funcionamiento.
- No utilizar el cortasetos cerca de gases y polvos inflamables, ya que el motor produce chispas. ¡Peligro de explosiones!
- Compruebe si la tensión y frecuencia de red corresponden con las indicaciones de la placa de característica. Fusible de seguridad máx. 16 A. Se recomienda utilizar un interruptor de protección contra corriente de defecto o un dispositivo de protección contra corriente de escape.
- Asegurarse de que durante el trabajo no se encuentren niños ni otras personas en un radio de 5 metros. También poner atención en los animales.
- Por principio, el cortasetos solamente podrá utilizarse completamente montado.
- Antes de la puesta en marcha, el usuario deberá adoptar una posición segura.
- El cortasetos no puede ser arrancado sino cuando la abrazadera y uno de los asideros traseros estén rigidamente agarrados con ambas manos. Está diseñado tanto para zurdos como para diestros y puede utilizarse de ambos lados.



- **La inmovilización del conmutador de seguridad de la abrazadera y del conmutador de seguridad del asidero queda prohibida!**
- Poner en marcha el cortasetos únicamente con-forme a la descripción de las instrucciones de servicio.
- Desconectar inmediatamente el cortasetos cuando el equipo muestre evidentes cambios de comportamiento.
- Desconectar el cortasetos inmediatamente de la red si el cable es dañado o cortado.
- Si el dispositivo cortador entrara en contacto con un cerco u otros objetos duros, desconectar inmediatamente el motor, desenchufar la clavija y revisar el dispositivo de corte.
- **Para revisar el dispositivo de corte, eliminar desperfectos o para retirar piezas cortadas aprisionadas, desconectar el cortasetos y desenchufar la clavija de la red.**
- En las pausas de trabajo y antes de abandonar el cortasetos debe desconectarse el motor y desenchufarse la clavija de la red. El cortasetos debe depositarse de tal manera que nadie esté expuesto a peligro.

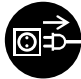

Cable de prolongación

- Usar solamente cables de prolongación a prueba de salpicaduras autorizados para el uso exterior e identificados como tales.
- Compre cables de prolongación en colores llamativos.
- El cortasetos tiene un aislamiento de protección según clase II VDE 0740 y por ello también puede conectarse a tomacorrientes sin puesta a tierra.
- Llevar el cable de prolongación siempre detrás del equipo y del usuario.
- Iniciar los trabajos siempre cerca de la fuente de corriente. De este modo se logra conducir el cable de prolongación siempre detrás del sector de trabajo.
- Llevar el cable de la red siempre detrás del usuario. Poner atención en que el cable no quede aprisionado ni que entre en contacto con objetos de cantos vivos. Colocar los cables de modo que nadie esté en peligro.

Atención: Trabaje con especial cuidado cuando el cable de prolongación deba conducirse por encima del seto a recortar.


- Observar sin falta la sección de línea del cable de prolongación (mín. 3 x 1,5mm²). Si se usa una roldana para cables, el cable debería desenrollarse completamente. Máxima longitud de cable 30 metros.

Transporte y almacenamiento

- **Durante el transporte y en caso de cambio de sitio durante el trabajo debe desenchufarse la clavija de la red.** 
- **Nunca portar ni transportar el cortasetos con el dispositivo de corte en funcionamiento.**
- **Nunca coger el dispositivo de corte con las manos.**
- Para un transporte de mayor distancia debe colocarse sin falta el carcaj suministrado.
- Portar el cortasetos únicamente por el asidero. El dispositivo de corte debe orientarse hacia atrás. 
- Durante el transporte en automóvil deberá observarse una posición segura del cortasetos. Solamente debe depositarse en el maletero o en una superficie de transporte separada del conductor.

- Depositar el dispositivo de corte con el carcaj montado en un recinto seco. Mantenerlo lejos del alcance de los niños. El cortasetos no debe guardarse al aire libre.
- Durante un depósito prolongado y después del uso es recomendable limpiar el cortasetos y, en especial, el dispositivo de corte. Lubricar leve-mente el dispositivo de corte y colocar encima el carcaj. El carcaj incluido en el volumen de suministro puede sujetarse en la pared. Esto permitirá guardar el cortasetos en forma segura y práctica.

Mantenimiento

- **Durante todos los trabajos de mantenimiento desconectar el cortasetos, desenchufar la clavija de la red y depositarlo en forma segura y estable.**
- Poner especial atención en que el dispositivo de corte esté impecable y no presente daños.
- Revisar regularmente el cable de conexión por daños del aislamiento. Si el cable estuviera dañado, desenchufar la clavija de la red. 
- Limpiar el cortasetos con regularidad.
- Si la caja plástica estuviera dañada, procurar inmediatamente una reparación profesional. **¡Peligro de lesiones por electrocución!**

Observar los reglamentos de prevención de accidentes de las asociaciones profesionales competentes y de las entidades aseguradoras.

Bajo ningún concepto deben realizarse cambios constructivos en el cortasetos, ya que pondrían en peligro su seguridad.

Realizar únicamente los trabajos de mantenimiento y reparación indicados en las instrucciones de manejo. Dejar realizar todos los otros trabajos por el servicio de MAKITA.

Usar sólo piezas de repuesto de origen MAKITA y accesorios admitidos.

Al aplicar piezas de repuesta no de origen MAKITA o accesorios, combinaciones de guías cadenas y longitudes no admitidos el peligro de accidentes es más alto. La responsabilidad no es válida en caso de accidentes o daños causados por dispositivos de sierra o accesorios no admitidos.

Los primeros auxilios



Para eventuales accidentes es necesario tener una farmacia portátil al lugar de trabajo. Completar la farmacia portátil inmediatamente después de haberla usado.

En caso de pedir auxilio indicar las informaciones siguientes:

- dónde ocurrió el accidente
- qué ocurrió
- cuantos heridos
- qué clase de lesiones
- ¡quién habla!

Advertencia

Si las personas que sufren de afecciones cardiovasculares se exponen con demasiada frecuencia a las vibraciones se puede producir un daño en los vasos sanguíneos o en el sistema nervioso.

Las vibraciones pueden producir los siguientes síntomas en los dedos, las manos o las muñecas: entumecimiento de las partes del cuerpo, cosquilleo, dolor, dolor punzante, cambio de color de la piel o de la piel.

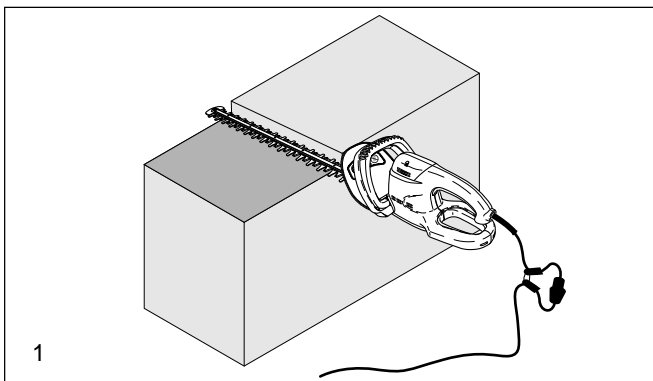
Si se comprobaran estos síntomas, acudir a un médico.

Comportamiento/Método de trabajar

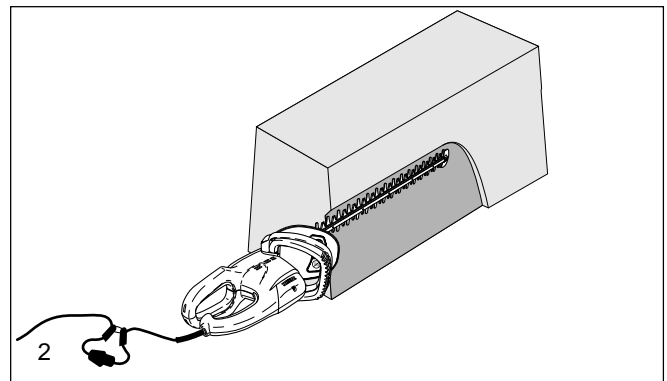
- Trabajar únicamente si las condiciones de visibilidad y luz son buenas.
- Nunca trabajar en un terreno inestable. Prestar atención a obstáculos en la zona de trabajo, peligro de tropezar. Siempre prestar atención a una posición estable.
- Nunca trabajar estando sobre una escalera.
- No trabajar demasiado inclinado hacia adelante.
- Manejar el cortasetos manteniéndolo a suficiente distancia del cuerpo y alejando el dispositivo de corte del cuerpo del usuario.
- Con el cortasetos deben cortarse setos solamente. No debe utilizarse para cortar césped o matas.
- Mantener siempre libres las ranuras de ventilación para asegurar el enfriamiento del motor eléctrico.
- No tocar el suelo con el dispositivo de corte en marcha. Los objetos extraños dañan el dispositivo de corte y pueden ocasionar lesiones.
- No utilizar el cortasetos como palanca o pala para quitar piezas cortadas o otros objetos.
- Aunque púedese cortar ramas de hasta \varnothing 20 mm, sin embargo depende eso del tipo de madera, su envejecimiento, grado de humedad y la dureza de la madera.
- Las ramas muy gruesas deben acortarse hasta la longitud deseada con una cizalla antes de cortar el seto.
- **Los trabajos de corte solamente deberán iniciarse una vez que se haya comprobado con seguridad que**
 - a) en el sector de trabajo no se encuentran otras personas o animales
 - b) está asegurado un retroceso libre para el usuario del cortasetos
 - c) el sector de los pies debe estar libre de todo elemento extraño, arbustos y ramas. Adquirir una posición firme (peligro de tropiezos).

Consejos para recortar setos

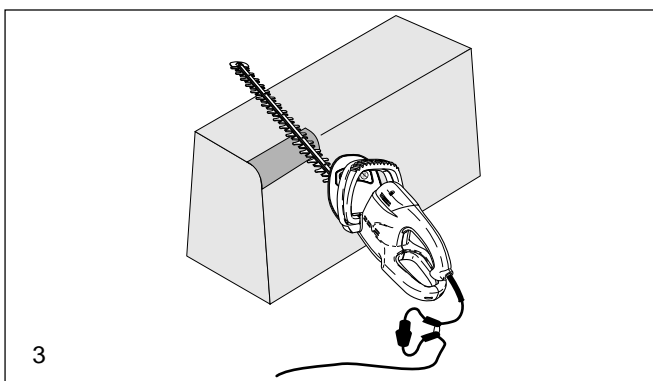
Los procedimientos descritos a continuación pueden aplicarse con frecuencia y facilitan el trabajo. Si se desea recortar considerablemente un seto, es recomendable hacerlo en dos pasos.



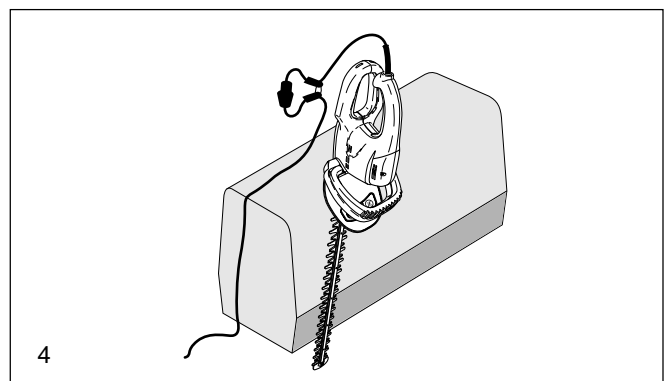
- Primero se corta la altura deseada (1) del seto. Con un poco de destreza, las piezas cortadas podrán eliminarse del seto mediante el movimiento pendular. Para lograr un corte recto, se recomienda tensar un hilo a la altura del corte.



- Cortar el seto en forma trapezoidal (con una altura de 1 m, reducir hacia arriba unos 10 cm), cortar desde abajo hacia arriba (2). Con ello se evitará que las piezas cortadas caigan dentro de las superficies aún no recortadas, estorbando en los cortes subsiguientes.



- Redondear las aristas superiores (3) del seto, y a continuación reducir levemente el sector del suelo (4) del seto.



Tiempos indicados para recortar setos (en Europa):

Follaje:	junio y octubre
Coníferas:	abril y agosto
De crecimiento rápido:	a partir de mayo, cada 6 semanas aprox.

Cuidado del medio ambiente

Los trabajos con el cortasetos no deberían realizarse en los tiempos de descanso usuales.

Antes de cortar su seto, asegúrese de que no contenga pájaros que aniden en él. Si fuese así, posponga el recortado del seto o deje de recortar ese sector.

Elimine ecológicamente los desechos de corte o úselos para compostaje.

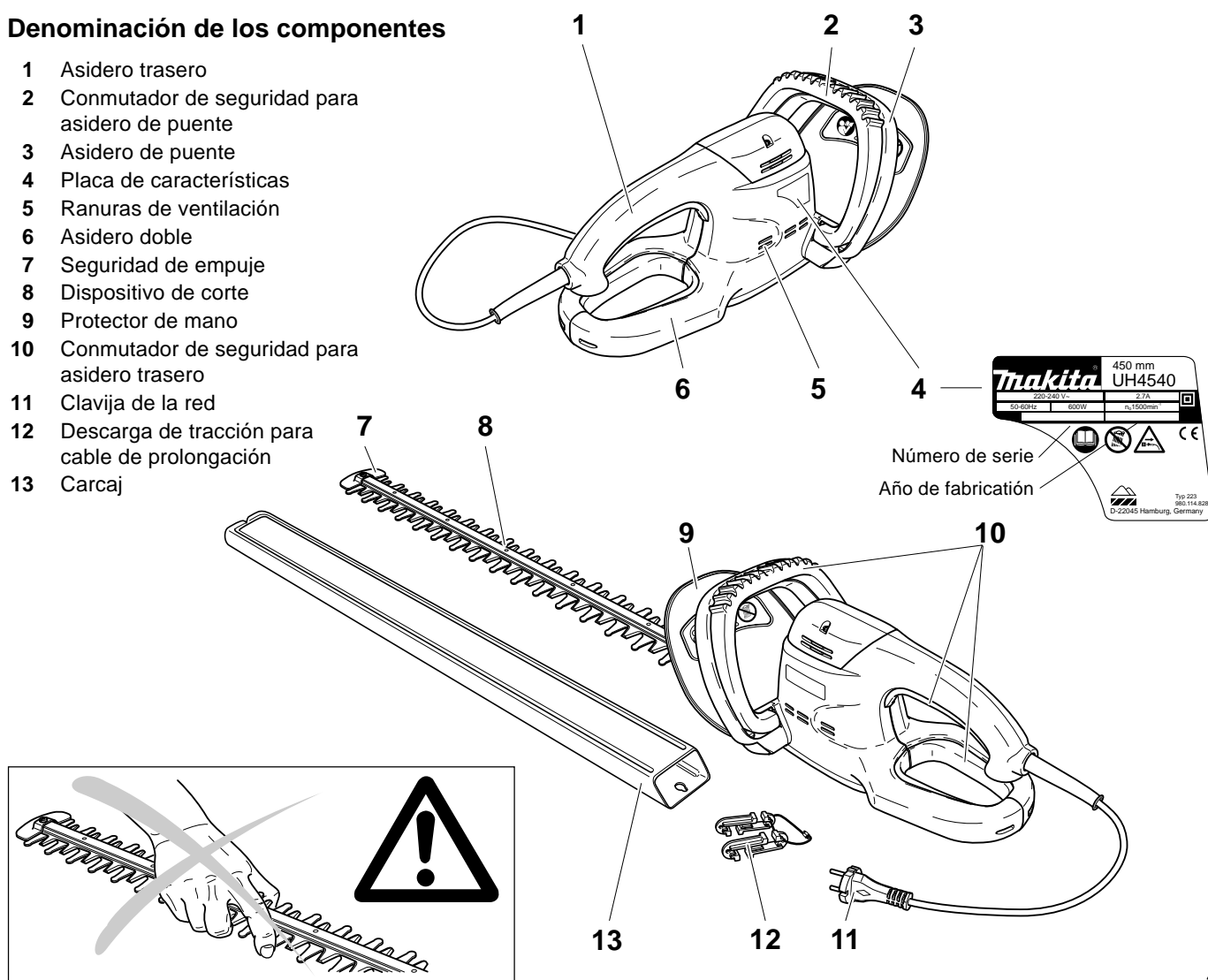
Datos técnicos

		UH 4540	UH 5540	UH 6540
Potencia absorbida	Watt	600		
Voltaje nominal	V	220...240~		
Frecuencia de la red	Hz	50...60		
Corriente nominal	A	2,7		
Fusible, red eléctrica	A	16		
Longitud del cable	cm	30		
Longitud de corte	cm	45	55	65
Número de carreras (n _o)	n/min	1500		
Carrera	mm	18		
Diámetro máximo de corte	mm	20		
Distancia entre cuchillos	mm	26		
Nivel presión sonora L _{PA} al lugar de trabajo según EN 50144-1 ¹⁾	dB (A)	85,2	85,2	85,2
Nivel potencia sonora L _{WA} según EN 50144-1 ¹⁾	dB (A)	98,2	98,2	98,2
Aceleración a _{h,w} según EN 774/A3, EN 50144-2-15 ¹⁾				
- asidero de puente (delantero)	m/s ²	3,3 / 1,7	3,3 / 1,7	3,3 / 1,7
- asidero trasero	m/s ²	2,6 / 1,0	2,6 / 1,0	2,6 / 1,0
Protección de sobrecarga	tipo	Acoplamiento de fricción		
Freno		mecánico		
Tiempo de parada	sec.	0,05		
Peso	kg	3,8	4,0	4,1
Supresión, interferencias		conforme a dir. de comp. electromag. 89/336/CEE y 92/31/CEE		
Aislamiento de protección		clase II (aislamiento de protección doble)		
Cable de prologación (no incluido)	tipo	DIN 57282 / HO7RN-F L= max. 30 m, min. 3 x 1,5 mm ²		

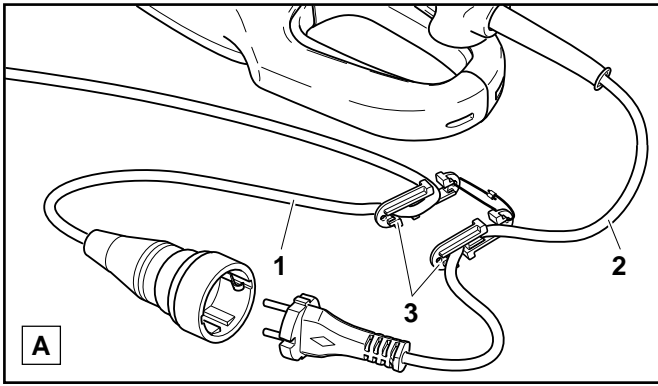
¹⁾ medido a máximas revoluciones

Denominación de los componentes

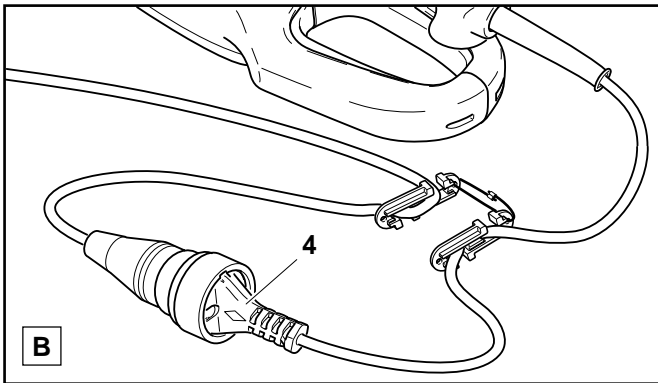
- 1 Asidero trasero
- 2 Conmutador de seguridad para asidero de puente
- 3 Asidero de puente
- 4 Placa de características
- 5 Ranuras de ventilación
- 6 Asidero doble
- 7 Seguridad de empuje
- 8 Dispositivo de corte
- 9 Protector de mano
- 10 Conmutador de seguridad para asidero trasero
- 11 Clavija de la red
- 12 Descarga de tracción para cable de prolongación
- 13 Carcaj



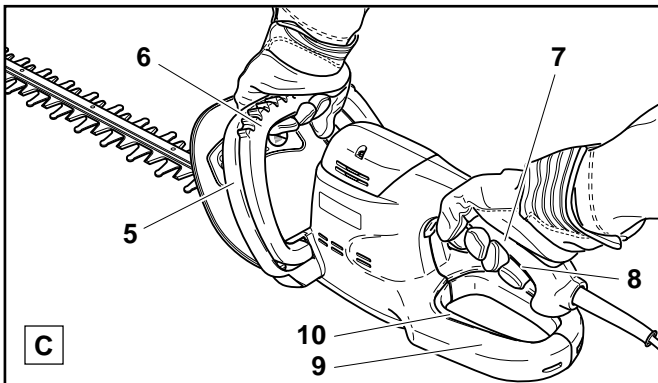
PUESTA EN MARCHA



- Colóquese el cable de prolongación (A/1) y el cable conector del cortasetos (A/2) en el dispositivo de contracción (A/3).



- Conectar la clavija de la red (B/4) con el cable de prolongación.



- Sujetar el asidero de puente (C/5) con una mano; queda accionado el conmutador de seguridad del asidero de puente (C/6).
- Con la otra mano, asir el asidero trasero (C/7) y poner en marcha con el conmutador de seguridad del asidero trasero (C/8) el cortasetos.

Nota: Para lograr un guiado más sencillo del cortasetos cuando cortando, puedes también utilizar el asidero doble (C/9). En este caso, se arranca el cortasetos a través del conmutador de seguridad del asidero (C/10).

Atención: El cortasetos arrancará inmediatamente

Nota: El cortasetos solamente se arrancará cuando se accione los dos conmutadores (C/6 y C/8, resp. C/6 y C/10, ó también los C/8 y C/10).

Atención: Si el cortasetos se pusiera en marcha después de accionarse uno solo de los interruptores, no debe iniciarse la tarea bajo ningún concepto. Acuda a un taller especializado MAKITA.

Desconectar el cortasetos: Soltar uno o ambos conmutadores. El cortasetos se detendrá inmediatamente.

Examinar el freno de cuchillas



El examen del freno de cuchillas deberá realizarse antes de cada comienzo de tarea.

- Poner en marcha el cortasetos según las instrucciones.
- Asir el asidero de puente firmemente con una mano, con la otra mano en el asidero.
- Accionar el conmutador del asidero (C/6, C/8 resp. C/10) y soltarlo nuevamente. El dispositivo de corte debe etenerse inmediatamente.

Atención: Si el dispositivo de corte no se detuviera inmediatamente después de esta prueba, no deberá iniciarse el trabajo bajo ningún concepto. Acuda a un taller especializado MAKITA.

MANTENIMIENTO

Realizar periódicamente los trabajos de mantenimiento descritos en lo siguiente para lograr una duración larga y evitar daños del cortasetos. Reclamaciones de garantía son válidas sólo si se efectúa estos trabajos periódica y correctamente.

ATENCIÓN:

Para todos los trabajos a realizar en el cortasetos es preciso desenchufar sin falta la clavija de la red.



Limpieza y cuidado del dispositivo de corte

Atención: Poner especial cuidado durante la limpieza o el mantenimiento del dispositivo de corte (peligro de lesiones).

El dispositivo de corte debe revisarse periódicamente por eventuales daños, y limpiarse con un cepillo o un trapo apropiado.

Si después de un uso prolongado los cortes ya no resultaran satisfactorios, acuda a un taller especializado.

Mantenimiento y cuidado periódicos

Antes de cada puesta en funcionamiento

- Revisar el cortasetos completo por posibles roturas y grietas. Si estuviera dañado, procurar inmediatamente una reparación profesional.
- Comprobación del funcionamiento de los interruptores arranque/parada.
- Las ranuras de ventilación deben estar libres.
- Revisar el cable de conexión. Si estuviera dañado, hacerlo recambiar en el taller especializado.

Después de cada puesta fuera de servicio

- Limpiar el cortasetos completo.
- Limpiar y lubricar levemente el dispositivo de corte.

Almacenamiento

- Almacenar el cortasetos completo en forma segura, en un recinto cerrado seco.

Localización de averías

El electromotor del cortasetos no arranca:

- no hay suministro de corriente, cable defectuoso, revisar fusible.

El electromotor del cortasetos marcha, pero el dispositivo de corte no trabaja: acudir sin falta a un taller especializado MAKITA.

Mantenimiento y reparaciones

El mantenimiento y la reparación de modernos cortasetos y de subconjuntos de seguridad requieren una preparación técnica cualificada y un taller equipado con herramientas e instrumentos de ensayo especiales.

Todos trabajos no descritos en estas Instrucciones de Manejo deben ser ejecutados por un taller experto MAKITA.

Nuestros prácticos tienen la formación, la experiencia y el equipo necesarios para ofrecerle la solución más económica.

Tentativas de reparación, hechas por terceras personas, resp. por personas no autorizadas, hacen caducar el derecho a la garantía.

Por favor, ver por el taller más próximo en la lista de direcciones adjuntada.

Piezas de repuesto

La seguridad funcional en el servicio continuo y la seguridad de su motosierra dependen entre otras cosas de la calidad de las piezas de repuesto. Usar sólo piezas de repuesto de origen MAKITA, identificadas como sigue:



Estas piezas son producidas especialmente para su tipo de motosierra y por eso aseguran una óptima calidad del material, de la exactitud dimensional, función y de la seguridad.

Piezas de repuesto de origen MAKITA se pueden comprar al comerciante especializado. Tiene las listas de piezas de repuesto con los números de pedido requeridos y está siempre al tanto mejora de innovaciones en la oferta de piezas de repuesto.

Prestar atención a que al utilizar piezas de repuesto no de origen MAKITA, MAKITA no puede conceder una garantía.

Garantía

MAKITA garantiza una calidad perfecta y paga para retoques, es decir para el cambio de piezas defectuosas por razón de defectos del material o de fabricación que ocurren dentro del plazo de garantía después del día de compra.

Prestar atención a que en algunos países las condiciones de garantía sean diferentes. En caso de duda dirigirse a su vendedor. Es responsable para la garantía del producto.

Esperamos que Vd. tenga comprensión para que en los casos siguientes la garantía deje de aplicarse. Estos son daños por:

- No observación de las instrucciones de manejo.
- Omisión de trabajos de mantenimiento y limpieza necesarios.
- Desgaste normal.
- Utilización de cables de prolongación no autorizados.
- Uso de fuerza, tratamiento inadecuado, uso impropio o accidente.
- Daños por recalentamiento causado por ensuciamientos en las ranuras de ventilación.
- Reparaciones por personas no experimentadas o reparaciones inadecuadas.
- Uso de piezas de repuesto inadecuadas o de piezas no de origen MAKITA, si han provocado el daño.
- Daños provocados por las condiciones de aplicación del alquiler profesional.

Trabajos de limpieza, mantenimiento y juste no son incluidos en la garantía. Dejar realizar todos los trabajos que afectan la garantía por un comerciante especializado de MAKITA.

Hartelijk dank voor uw vertrouwen !

Gefeliciteerd met uw nieuwe MAKITA heggeschaar. Wij zijn er zeker van, dat u met deze moderne machine tevreden zult zijn. De modellen UH 4540, 5540, 6540 zijn bijzonder lichte, handige heggescharen met grote capaciteit en een gunstig prestatiegewicht.

De ergonomische uitvoering van de handgrepen en bedieningselementen zorgen voor bedieningscomfort en in grote mate voor werken met de heggeschaar zonder al te zeer te vermoeien. Een ontspanningsvoorziening voor de verlengkabel wordt medegeleverd.

De veiligheidsuitrusting van de heggescharen UH 4540, 5540, 6540 voldoet aan de nieuwste stand van de techniek en voldoet aan alle nationale en internationale veiligheidsvoorschriften. Dit omvat 3 veiligheidshandgrepen, 2-hands veiligheidsbediening en een snelstopfunctie voor de snijschaar.

Ten einde een steeds optimaal functioneren en een volle prestatiegereedheid van uw heggeschaar te garanderen, en om uw eigen veiligheid te waarborgen, richten wij het volgende verzoek aan u:

Leest u voor de eerste ingebruikname van de heggeschaar deze gebruiksaanwijzing zorgvuldig door en neem beslist alle veiligheidsvoorschriften in acht! Nietinachtname kan levensgevaarlijke verwondingen veroorzaken!



EU-conformiteitsverklaring

De ondergetekenden Junzo Asada en Rainer Bergfeld gemachtigd door DOLMAR GmbH, verklaren hiermede, dat de apparaten van het merk MAKITA,

Type: 223

UH 4540, UH 5540, UH 6540

vervaardigd door DOLMAR GmbH, Jenfelder Str. 38, D-22045 Hamburg, aan de fundamentele veiligheids- en gezondheidseisen van de desbetreffende EU-richtlijnen voldoen:

EU-machinerichtlijn 98/37/ EG,

EU-EMV-richtlijn 89/336/ EEG (gewijzigd door 91/263 EWG, 92/31 EEG en 93/68 EEG),

EU-laagspanningsrichtlijn 73/23 EEG (door 93/68/ EEG),

Geluidsemisatie 2000/14/EG.

Ter vakkundige realisering van de in deze EU-richtlijnen vervatte eisen zijn doorslaggevend de volgende normen als grondslag genomen: EN 774/A3, EN 50144-1, EN 50144-2-15, EN 55014-1, EN 55014-2, EN 61000-3-2/-3.

Het conformiteitsbeoordelingsprocédé 2000/14/EG is volgens appendix V doorgevoerd. Het gemeten peil van geluidsvermogen (Lwa) bedraagt 95 dB(A). Het gegarandeerde peil van geluidsvermogen (Ld) is 96 dB(A).

Hamburg, den 6.3.2002

Voor DOLMAR GmbH

Junzo Asada
Directeur

Rainer Bergfeld
Directeur

Verpakking

Uw MAKITA heggeschaar bevindt zich ter bescherming tegen transportbeschadigingen in een carton. Karton is een grondstof en is als zodanig geschikt voor hergebruik, of kan in de grondstofkringloop (oudpapierverwerking) teruggebracht worden.



Inhoudsopgave

EU-conformiteitsverklaring	30
Verpakking	30
Symbolen	30
Omvang van de levering	31
VEILIGHEIDSVORSCHRIFTEN	31
Algemene voorschriften	31
Persoonlijke beschermingsuitrusting	31
Inbedrijfname	31-32
Verlengkabel	32
Transport en opslag	32
Onderhoud	32
Eerste Hulp	32
Tips voor het snijden van heggen	33
Werkomstandigheden en -technieken	33
Tips voor de milieubescherming	33
Technische specificaties	34
Benaming van de onderdelen	34
INBEDRIJFNAME	35
Messenrem controleren	35
ONDERHOUDSWERKZAAMHEDEN	35
Snij-inrichting reinigen/schoonhouden	35
Periodieke onderhouds- en reinigingsvoorschriften	35
Storingzoeken	35
Werkplaatservice, reserve-onderdelen en garantie	36
Lijst van service-adressen (zie bijlage)	

Symbolen

Op de machine en bij het lezen van de gebruiksaanwijzing treft u de volgende symbolen aan:



Lees de gebruiksaanwijzing en neem alle veiligheidsvoorschriften in acht!



Let op!



Verboden!



Tegen regen en natheid beschermen!



Trek de stekker uit de contactdoos bij beschadigt netsnoer!



Trek de stekker uit de contactdoos!



Dubbele isolatie



Motor uitzetten!



Draag beschermende handschoenen!



Draag ogen- en gehoorbescherming!



Eerste hulp

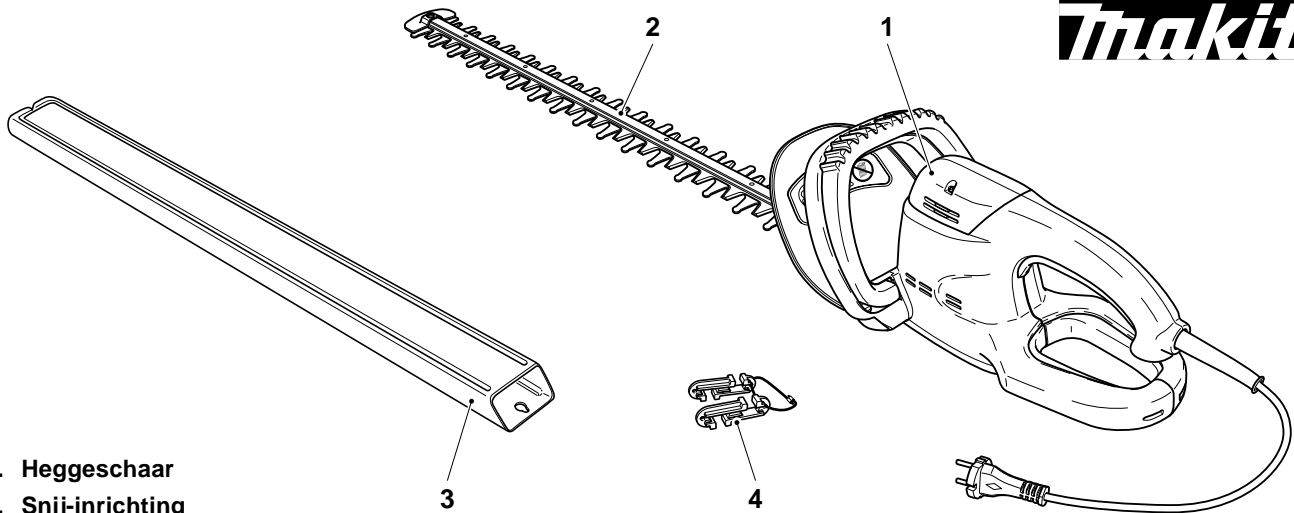


Recycling



CE-Kenteken

Omvang van de levering



1. Heggeschaar
2. Snij-inrichting
3. Koker
4. Ontspanningsvoorziening voor de aansluitkabel
5. Gebruiksaanwijzing (niet afgebeeld)

Indien een van de hier afgebeelde onderdelen bij de levering ontbreekt, wendt u zich dan tot uw verkoper!

VEILIGHEIDSVOORSCHRIFTEN



Algemene voorschriften

- Om een veilig gebruik te garanderen moet degene die het apparaat bedient altijd deze gebruiksaanwijzing absoluut lezen, om zich met de bediening van de heggeschaar vertrouwd te maken. Onvoldoende geïnstrueerde gebruikers kunnen zichzelf en anderen door ondeskundig gebruik in gevaar brengen.
- Wie voor het eerst met de heggeschaar gaat werken, doet er goed aan zich van ervaren gebruikers enkele tips te laten geven.
- De heggeschaar alleen uitlenen aan personen met ervaring in het gebruik van heggeschaaren. De gebruiksaanwijzing dient daarbij overhandigd te worden.
- Kinderen en jeugdige personen onder 18 jaar mogen de heggeschaar niet gebruiken. Voor jeugdigen boven 16 jaar geldt dit verbod niet als zij in het kader van hun opleiding onder toezicht van een vakman staan.
- Het werken met de heggeschaar vereist een hoge mate van concentratie.
- Werk alleen in goede lichamelijke conditie. Ook vermoeidheid kan onoplettendheid tot gevolg hebben. Van begin tot eind van werkzaamheden is een zeer goede concentratie vereist. Voer alle werkzaamheden rustig en zorgvuldig uit. De gebruiker is verantwoordelijk ten opzichte van derden.
- Niet onder invloed van alcohol, drugs of medicijnen werken.

Persoonlijke beschermingsuitrusting

- Om bij het zagen verwondingen aan ogen, handen en voeten en schade aan het gehoor te vermijden moeten de hierna omschreven beschermende uitrusting en beschermende apparaten gedragen worden.
- De kleding moet doelmatig zijn, d.w.z. goed aansluitend, maar mag niet hinderen. Draag geen sieraden of kleding waarmee u achter takken of struiken kunt blijven haken. Bij lang haar een haarnet dragen.
- De veiligheidsbril beschermt tegen rondvliegende afgezaagde takken. Om verwondingen aan de ogen te voorkomen moet bij het werken met de heggeschaar altijd gedragen worden.

- Om gehoorschade te voorkomen moet geschikte persoonlijke gehoorbescherming gedragen worden. (Oorbeschermers, oordopjes, oorbatterijen etc.) Octaafbandanalyse op aanvraag.
- Werkhandschoenen van een zware kwaliteit leer behoren tot de voorgeschreven uitrusting en moeten bij het werken met de heggeschaar altijd gedragen worden.
- Bij het werken met de motorkettingzaag moeten veiligheidsschoenen met profielzool gedragen worden.

Inbedrijfname

- Controleer voor aanvang van de werkzaamheden of de heggeschaar goed werkt en volgens voorschrift bedrijfsklaar is gemaakt.
- Bij regen en in een natte of zeer vochtige omgeving mag met de heggeschaar niet gewerkt worden, omdat de elektromotor niet tegen water bestendig is. 
- Als de heggeschaar vochtig is, mag hij niet gebruikt worden.
- Niet met de heggeschaar in de nabijheid van brandbare gassen en stof werken, omdat de motor vonken veroorzaakt. **Ontploffingsgevaar!**
- Controleer of netspanning en frequentie met de gegevens op het typeplaatje overeenkomen. Maximum voorzekering 16A. Het gebruik van een foutstroom-contactoor of een afleidstroom-beschermingsinrichting wordt aanbevolen.
- Overtuig u dat tijdens het werk binnen een gebied van 5 m geen kinderen of andere personen verblijven. Let ook op dieren.
- Principeel mag de heggeschaar uitsluitend compleet gemonteerd gebruikt worden!
- Vóór het starten moet de bediener van de heggeschaar goed stabiel staan.
- De heggeschaar kan alleen worden gestart, wanneer de beugelhandgreep en een van de achterste handgrepen stevig met beide handen worden vastgehouden. Hij is voor links- en rechtshandigen geconstrueerd en kan zonder enige beperking aan beide kanten bediend worden.

- **Vastzetten van de beugelgreep-veiligheidsschakelaar en van de handgreep-veiligheidsschakelaar is verboden!**
- De heggeschaar alleen inschakelen zoals in de gebruiksaanwijzing is beschreven.
- De heggeschaar onmiddellijk uitschakelen als er merkbare veranderingen in het gedrag van de schaar optreden.
- Bij beschadiging of doorsnijden van het netsnoer direct de netstekker uit de contactdoos trekken.
- Als de snij-inrichting met een schutting of andere harde voorwerpen in aanraking is gekomen, de motor onmiddellijk uitschakelen. De netstekker uit de contactdoos trekken en de snij-inrichting controleren.
- **Om de snij-inrichting te controleren, om storingen op te heffen of ingeklemde voorwerpen te verwijderen, de heggeschaar uitschakelen en de netstekker uit de contactdoos trekken.**
- Tijdens pauzes bij het werk en vóór het verlaten van de heggeschaar moet hij uitgeschakeld en de netstekker uit de contactdoos getrokken worden. De heggeschaar moet zo neergelegd worden, dat niemand gevaar loopt.

Verlengkabel

- Uitsluitend tegen spatwater beschermde, voor het gebruik in de buitenlucht toegelaten en overeenkomstig gekenmerkte verlengkabels gebruiken.
- Geef bij de koop aan verlengkabels met een signaalkleur de voorkeur.
- De heggeschaar is volgens klasse II VDE 0740 beschermd geïsoleerd en mag aan contactdozen zonder aarding aangesloten worden.
- Verlengkabel steeds achter u laten liggen!
- Werkzaamheden altijd in de nabijheid van de stroomaansluiting beginnen. Daardoor wordt bereikt, dat de verlengkabel achter de plaats waar gewerkt wordt blijft liggen.
- De netkabel moet principieel achter de bediener liggen. Er moet op gelet worden dat de kabel niet ingeklemd wordt of met voorwerpen met scherpe kanten in aanraking komt. De kabel zó neerleggen, dat niemand gevaar kan lopen.

Attentie: werk met bijzondere opmerksomheid als de verlengkabel over de te bewerken heg moet worden gelegd.


- Let absoluut op de leidingsdoorsnee van de verlengkabel (min. 3 x 1,5 mm²). Bij gebruik van een kabelrol moet de kabel volledig afgewikkeld worden. Maximum kabellengte 30 m!

Transport en opslag

- **Bij het transport of bij het innemen van een andere plaats waar gewerkt wordt de netstekker uit de contactdoos trekken.** 
- **De heggeschaar nooit met lopende snij-inrichting dragen of transporteren!**
- **De snij-inrichting nooit met de handen beetpakken.**
- Bij transport over een grotere afstand moet het meegeleverde foedraal in ieder geval gebruikt worden.
- Heggeschaar uitsluitend alleen aan de beugelgreep dragen. De snij-inrichting wijst naar achteren. 
- Bij het transport in een auto moet er op de veilige ligging van de heggeschaar gelet worden. Hij mag alleen in de kofferruimte of een van de chauffeur gescheiden transportoppervlakte ondergebracht worden.

- De heggeschaar in het foedraal veilig in een droge ruimte opslaan. Voor kinderen moet hij ontoegankelijk zijn. De heggeschaar mag niet buiten bewaard worden.
- Bij langere opslag en na gebruik moet u de heggeschaar, vooral de snij-inrichting reinigen. De snij-inrichting iets oliën en in het foedraal steken. Het in de leveringsomvang opgenomen foedraal kan aan de wand bevestigd worden. Veilig en praktisch bewaren van de heggeschaar wordt daardoor mogelijk.

Instandhouding

- **Bij alle onderhoudswerkzaamheden de heggeschaar uitschakelen, de netstekker uit de contactdoos trekken en beveiligen.**
- Op een onberispelijke en onbeschadigde snij-inrichting moet speciaal gelet worden.
- Aansluitkabel regelmatig op beschadigingen van de isolatie controleren. Bij beschadigde kabel de netstekker uit de contactdoos trekken. 
- De heggeschaar regelmatig reinigen.
- Bij beschadigingen van het kunststofhuis omgaand voor deskundige reparatie zorgen. **Gevaar van letsel door stroomschokken!**

Neem de veiligheidsvoorschriften van de Arbeidsinspectie en verzekeringsmaatschappijen in acht.

In geen geval constructieve veranderingen bij de heggeschaar uitvoeren. U brengt daardoor uw veiligheid in gevaar.

Onderhouds- en montagewerkzaamheden mogen alleen uitgevoerd worden voorzover deze in deze gebruiksaanwijzing beschreven zijn. Alle overige werkzaamheden moeten door de MAKITA service uitgevoerd worden.

Gebruik uitsluitend MAKITA reserve-onderdelen en geautoriseerde accessoires.

Bij gebruik van niet-originele MAKITA reserve onderdelen, niet-geautoriseerde accessoires of zaaggeleider/ketting-combinaties en -lengten is er een verhoogd ongevalsrisico. Bij ongelukken of schade als gevolg van niet-geautoriseerde zaagmechanieken of accessoires vervalt iedere aansprakelijkheid.

Eerste Hulp (E.H.B.O.)

Voor eventuele ongevallen dient altijd een verbanddoos op de werkplek aanwezig te zijn. Vul gebruikt materiaal direct weer aan.

Als u om hulp vraagt, geeft u dan de volgende informatie:

- Waar gebeurde het
- Wat gebeurde er
- Hoeveel gewonden
- Aard van de verwondingen
- Noem uw naam!

Aanwijzing: Bij personen met circulatiestoornissen kunnen vaak optredende vibraties tot beschadiging van de bloedvaten of van het zenuwstelsel leiden.

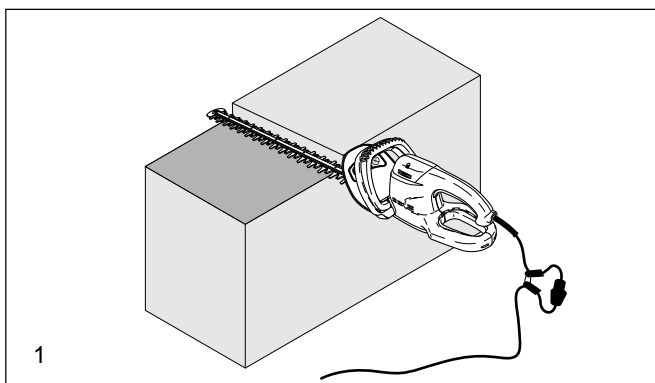
Door vibraties aan vingers, handen of polsen kunnen de volgende symptomen optreden: inslapen van lichaamsdelen, prikkelen, pijn steken, verandering van de huidkleur of van de huid. **Bij het waarnemen van zulke symptomen moet u een dokter opzoeken.**

Werkomstandigheden en -technieken

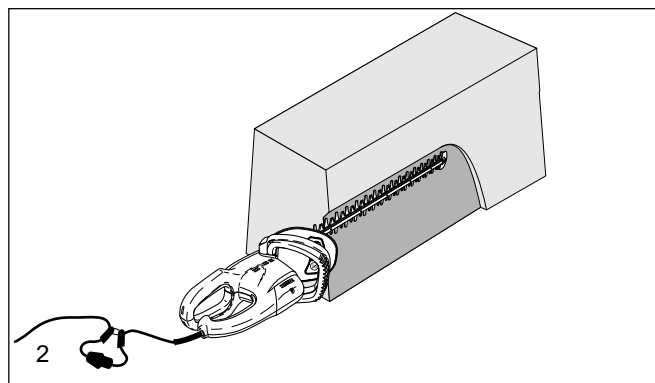
- Werk alleen bij goed zicht en goede verlichting.
- Werk nooit op een onstabiele ondergrond. Let op obstakels op de werkplek, struikelgevaar. Let er voortdurend op dat u stevig staat.
- Zaag nooit staande op een ladder.
- Niet te ver voorovergebogen werken.
- De heggeschaar met een voldoende afstand van het lichaam en met de snij-inrichting van het lichaam weg gebruiken.
- Gebruik de heggeschaar uitsluitend voor het snijden van heggen. Niet voor het snijden van gras of struiken gebruiken.
- Ventilatiegleuven steeds vrijhouden zodat de koeling van de elektromotor gegarandeerd is.
- Niet met lopende snij-inrichting op de grond komen. Vreemde voorwerpen beschadigen de snij-inrichting en kunnen verwondingen veroorzaken.
- De heggeschaar niet gebruiken voor het oplichten en verwijderen van afgesneden materiaal en andere voorwerpen gebruiken.
- Takken van maximaal 20 mm \varnothing kunnen weliswaar worden gesneden, maar dit hangt af van de houtsoort, de leeftijd, het vochtigheidsgehalte en de hardheid van het hout.
- Zeer dikke takken moeten vóór het snijden van de heg met een takkenschaar op de juiste lengte ingekort worden.
- **Met het snijden mag pas begonnen worden als eht zeker is, dat**
 - a) zich binnen het gebied waar gewerkt wordt geen andere personen of dieren bevinden,
 - b) het zeker is dat de bediener achteruit kan lopen zonder met hindernissen in aanraking te komen,
 - c) het gebied waar gelopen wordt moet vrij van alle er niet thuishorende voorwerpen, struiken en takken zijn. Voor stevigstaan zorgen (gevaar van struikelen).

Tips voor het heggesnijden

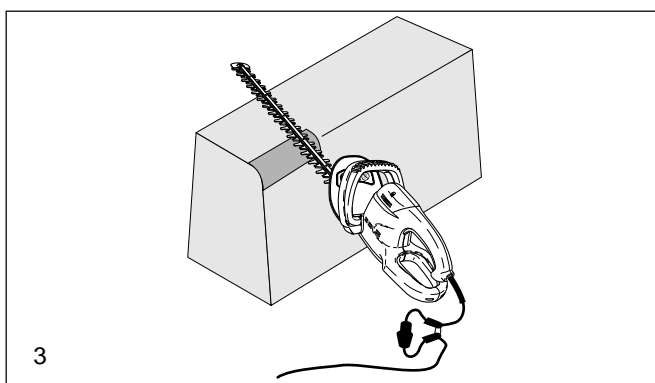
De onderstaand beschreven wijze van weren kan zeer vaak gevolgd worden en verlicht het werk. Als een heg zeer ver afgesneden moet worden, moet u in twee fasen snijden.



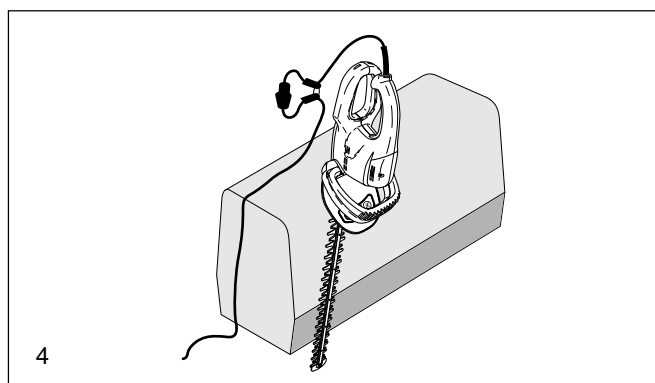
- De gewenste hoogte (1) van de heg wordt eerst gesneden. Het afgesneden materiaal kan daarbij door wat oefening door een heen en weergaande beweging van de heg verwijderd worden. Om rechte snijden te verkrijgen wordt er een snoer op snijhoogte gespannen.



- Heg trapeziumvormig (op 1 m hoogte \pm 10 cm naar boven toe smaller worden) van onderen naar boven snijden (2). Daardoor verhinderd men, dat het gesneden materiaal op de nog niet bewerkte plaatsen valt en dus bij het volgende snijden stoot.



- Bovenste kanten (3) van de heg wat afronden, daarna het onderste gedeelte (4) van de heg wat inkorten.



De juiste tijd voor het snijden van de heggen:

- Loof: juni en oktober
Naald: april en augustus
Snelgroeïende heggen: vanaf mei ongeveer iedere 6 weken.

Tip voor de milieubescherming

In de gebruikelijke rusturen niet met de heggeschaar werken.

Voor u de heg gaat snijden overtuigt u zich dat er geen vogels in de heg broeden. Als er vogels in de heg broeden stelt u het snijden van de heg uit of snijdt in dit gebied niet.

Afgesneden materiaal deskundig opslaan of composteren.

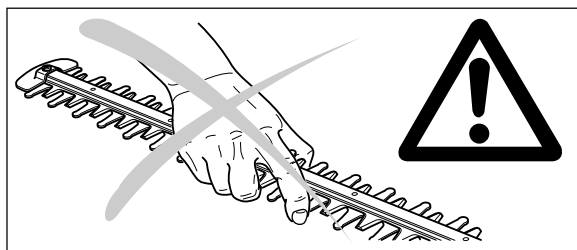
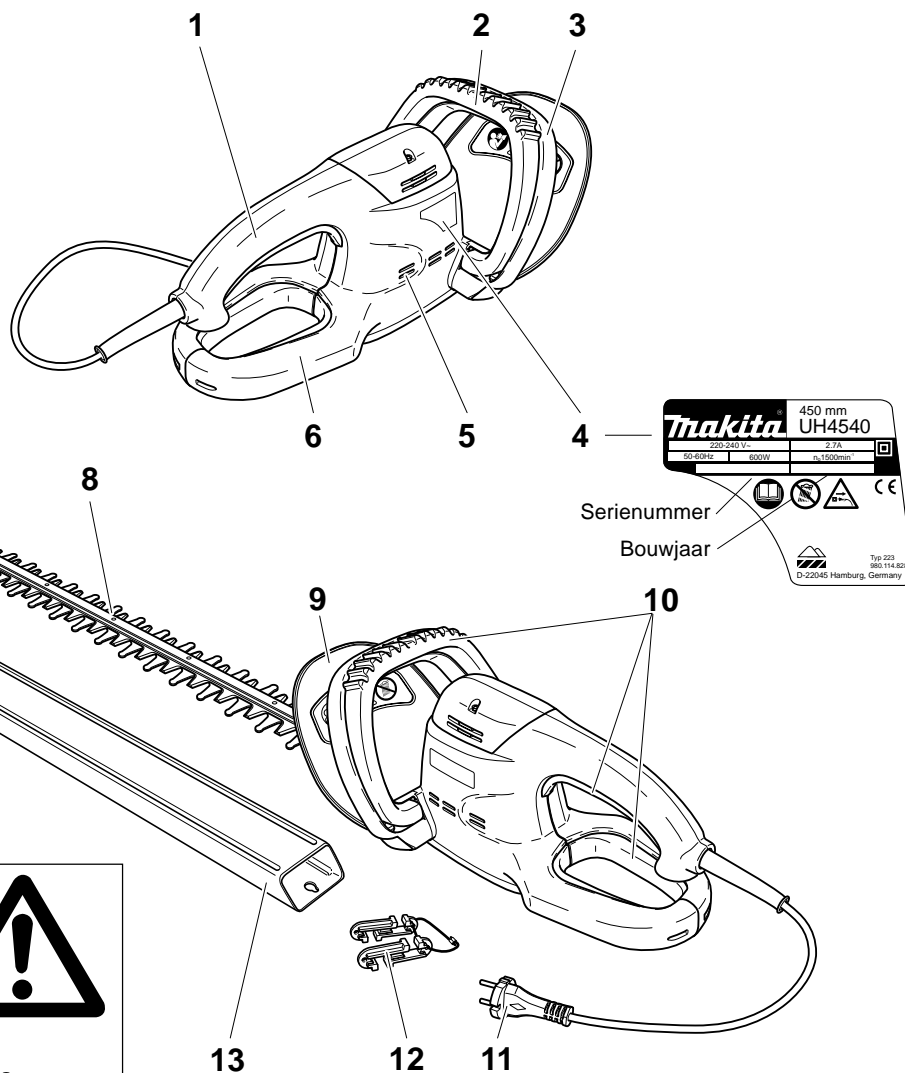
Technische specificaties

		UH 4540	UH 5540	UH 6540
Opgenomen vermogen	Watt	600		
Nominale spanning	V	220...240~		
Netfrequentie	Hz	50...60		
Nominale stroom	A	2,7		
Netzekering	A	16		
Netsnoer lengte	cm	30		
Zaaglengte	cm	45	55	65
Slagtal (n ₀)	n/min	1500		
Slag	mm	18		
Max. snoeidoorsnee	mm	20		
Mesafstand	mm	26		
Geluidsdruck L _{pA} op de werkplek volgens EN 50144-1 ¹⁾	dB (A)	85,2	85,2	85,2
Geluidsvermogen L _{WA} volgens EN 50144-1 ¹⁾	dB (A)	98,2	98,2	98,2
Zwaaiersnelling a _{h,w} volgens EN 774/A3, EN 50144-2-15 ¹⁾				
- Beugelgreep voorzijde	m/s ²	3,3 / 1,7	3,3 / 1,7	3,3 / 1,7
- Achterste handgreep	m/s ²	2,6 / 1,0	2,6 / 1,0	2,6 / 1,0
Overbelastingsbeveiliging	Type	Slipkoppeling		
Rem		mechanisch		
Stoptijd	sec.	0,05		
Gewicht	kg	3,8	4,0	4,1
Netontstoring/EMV		conform richtlijn elektromagn. comp. 89/336/EEG en 92/31/EEG		
Isolatieklasse		Klasse II (dubbele isolatie)		
Verlengsnoer (geen onderdeel van levering)	Type	DIN 57282 / HO7RN-F L= max. 30 m, min. 3 x 1,5 mm ²		

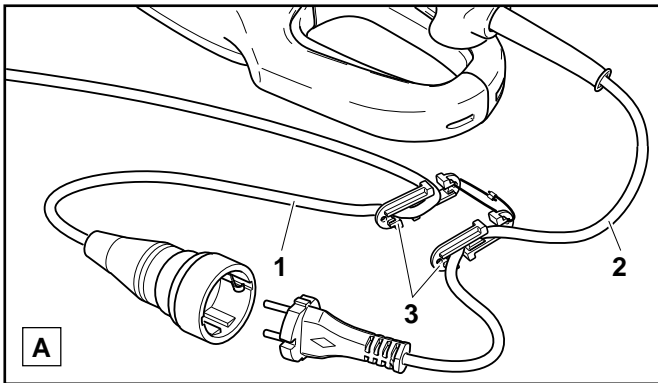
¹⁾ gemeten bij hoogste toerental

Naam van de onderdelen

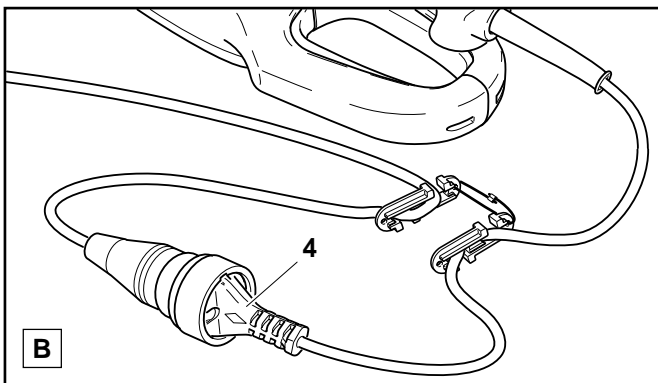
- 1 Handgreep
- 2 Beugelgreep-veiligheidsschakelaar
- 3 Beugelgreep
- 4 Typeplaatje
- 5 Ventilatiegleuven
- 6 Dubbelhandgreep
- 7 Aanzetbeveiliging
- 8 Snij-inrichting
- 9 Handbeschermer
- 10 Handgreep-veiligheidsschakelaar
- 11 Netstekker
- 12 Trekontlasting voor verlengkabel
- 13 Koker



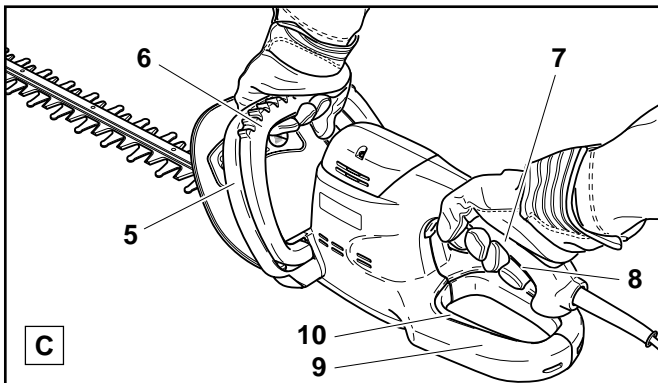
INGEBRUIKNAME



- De verlengkabel (A/1) en de aansluitkabel van de heggeschaar (A/2) in de ontspanningsvoorziening (A/3) vasthangen.



- Netstekker (B/4) met de verlengkabel verbinden.



- Beugelgreep (C/5) met één hand omvatten, de veiligheidsschakelaar in de beugelgreep (C/6) wordt bediend.
- Met de andere hand de handgreep (C/7) omvatten en met de veiligheidsschakelaar in de handgreep (C/8) de heggeschaar in gebruik nemen.

Wenk: Om een eenvoudiger voeren van de heggeschaar bij het snoeien te bereiken, kann men ook de dubbelhandgreep (C/9) gebruiken. De heggeschaar wordt dan met de handgreep-veiligheidsschakelaar (C/10) in bedrijf gesteld.

Let op: heggeschaar start onmiddellijk!

Wenk: De heggeschaar wordt alleen in bedrijf gesteld, wanneer beide schakelaars (C/6 en C/8, resp. C/6 en C/10, of ook C/8 en C/10) worden bediend.

Attentie: wanneer de heggeschaar door het bedienen van slechts 1 schakelaar in werking wordt gezien, mag in geen geval met het werk worden begonnen. Gaat u even naar een MAKITA werkplaats.

De heggeschaar uitschakelen: één of beide schakelaars ontlasten. De heggeschaar komt onmiddellijk tot stilstand.

Messenrem controleren



De controle van de messenrem moet vóór ieder begin van het werk uitgevoerd worden!

- De heggeschaar zoals beschreven starten.
- De beugel stevig met één hand omvatten, de andere hand aan de handgreep.
- De veiligheidsschakelaar in de handgreep (C/6, C/8 resp. C/10) bedienen en weer loslaten. De snij-inrichting moet nu onmiddellijk tot stilstand komen.

Let op: Als de snij-inrichting na deze controle niet onmiddellijk stilstaat, mag er in geen geval met het werk begonnen worden. Gaat u even naar een MAKITA werkplaats.

ONDERHOUDSWERKZAAMHEDEN

Voor een lange levensduur en ter voorkoming van schade moeten de hieronder vermelde onderhoudswerkzaamheden regelmatig uitgevoerd worden. Aanspraken op garantie worden alleen geaccepteerd als deze werkzaamheden regelmatig en volgens de voorschriften uitgevoerd zijn.

LET OP:

Bij alle werkzaamheden aan de heggeschaar absoluut de netstekker uit de contactdoos trekken en veiligheidshandschoenen dragen!



Reiniging en onderhoud van de snij-inrichting

Let op: wees bijzonder voorzichtig bij het reinigen en onderhouden van de snij-inrichting (gevaar van letsell!).

De snij-inrichting moet regelmatig op beschadiging gecontroleerd en met een geschikte borstel of een lap gereinigd worden.

Als na langer gebruik het resultaat van het snijden niet meer tevredenstellend is, naar de werkplaats gaan.

Periodieke verzorgings- en onderhoudstips

Vóór iedere inbedrijfstelling

- De heggeschaar volledig op breuken en scheuren controleren. Bij beschadigingen omgaand voor deskundige reparatie zorgen.
- Functiecontrole van de in-/uitschakelaar.
- Ventilatiegleuven moeten vrij zijn.
- Aansluitkabel controleren. Bij beschadiging in de deskundige werkplaats laten vervangen.

Na iedere buitenbedrijfstelling

- De gehele heggeschaar reinigen.
- De snij-inrichting reinigen en iets oliën.

Opslag

- De gehele heggeschaar veilig in een droge ruimte opslaan.

Storingzoeken

De elektromotor van de heggeschaar start niet:

- geen stroomvoorziening, kabel defect, zekering controleren.

De elektromotor van de heggeschaar loopt, maar de snij-inrichting werkt niet: absoluut naar een MAKITA werkplaats gaan.

Onderhoud en reparaties

De onderhoud en reparaties van moderne heggescharen en veiligheidsrelevante constructie-groepen vereisen een gekwalificeerde deskundige opleiding en een met speciaal gereedschap en testapparaten uitgeruste werkplaats.

Alle niet in deze gebruiksaanwijzing beschreven werkzaamheden moeten door een MAKITA-vakwerkplaats worden uitgevoerd.

De vakman beschikt over de noodzakelijke opleiding, ervaring en uitrusting om u steeds met zo weinig mogelijk kosten een oplossing te bieden en helpt u met raad en daad.

Bij reparatiepogingen door derden, resp. door niet geautoriseerde personen, vervalt de aanspraak op garantie.

In de bijgeleverde lijst vindt u de dichtstbijgelegen servicewerkplaats.

Reserveonderdelen

Betrouwbaarheid, levensduur en veiligheid van uw machine is ook afhankelijk van de kwaliteit van de gebruikte reserveonderdelen. Alleen originele MAKITA-reserveonderdelen gebruiken, die door het teken zijn gekenmerkt:



Alleen de originele onderdelen komen uit dezelfde fabriek als de machine en garanderen daarom de beste kwaliteit in materiaal en maatnauwkeurigheid, werking en veiligheid.

Originele reserveonderdelen en accessoires zijn verkrijgbaar bij uw vakhandelaar. Deze beschikt over de noodzakelijke reserveonderdelenlijsten en wordt doorlopend op de hoogte gehouden van verbeteringen en veranderingen in het aanbod van reserveonderdelen.

Houdt u ook rekening met het feit dat, bij gebruik van niet originele MAKITA onderdelen, het verlenen van garantie door de MAKITA-organisatie niet mogelijk is.

Garantie

MAKITA garandeert een uitstekende kwaliteit en vergoedt de kosten van verbeteringen door vervanging van de beschadigde onderdelen in geval van materiaal- of fabricagefouten die binnen de garantie na de datum van aankoop optreden.

Houdt u er rekening mee dat in sommige landen specifieke garantievoorwaarden gelden. Vraagt u dit na bij de verkoper in geval van twijfel. Deze is als verkoper van het produkt verantwoordelijk voor de garantie.

De volgende schadeoorzaken vallen buiten de garantie. Wij vragen hiervoor uw begrip:

- Niet opvolgen van de gebruiksaanwijzing.
- Achterwege laten van noodzakelijke onderhouds- en reinigingswerkzaamheden.
- Normale slijtage.
- Gebruik van niet toegelaten verlengkabels.
- Gebruik van geweld, onoordeelkundige behandeling, misbruik of ongevallen.
- Oververhittingsschade op grond van verontreinigingen van de ventilatiegoleuven.
- Ingrepen door ondeskundige personen of ondeskundige reparatiepogingen.
- Gebruik van ongeschikte reserveonderdelen, resp. niet-originele MAKITA onderdelen, voor-zover deze schade kunnen veroorzaken.
- Schade die terug te voeren is tot voorwaarden bij verhuur.

Reinigings-, onderhouds- en afstelwerkzaamheden vallen niet onder de garantie. Alle voorkomende garantiwerkzaamheden moeten worden uitgevoerd door een MAKITA vakhandelaar.

Vi takker for din tillid!

Tillykke med din nye MAKITA hækkeklipper. Vi er sikre på, at du vil være tilfreds med denne moderne maskine.

Modellerne UH 4540, 5540, 6540 er særdeles lette og handy hækkeklippere med høj ydelse ved fordelagtig vægt.

Den ergonomiske udformning af greb og betjeningslementer giver en god betjeningskomfort, så det næsten ikke er trættende at arbejde med hækkeklipperen. Leverancen omfatter også en trækaflastning til forlængerledningen.

Sikkerhedsudstyret på hækkeklipperne UH 4540, 5540, 6540 er i overensstemmelse med de anerkendte tekniske standarder og opfylder alle nationale og internationale sikkerhedsforskrifter. Det omfatter 3 sikkerhedsgreb, 2-håndsbetjening og en lynstopfunktion på klippeindretningen.

For at sikre en optimal funktion og ydelse i forbindelse med hækkeklipperen og for at du altid kan arbejde sikkert beder vi dig om følgende:

Læs denne betjeningsvejledning grundigt igennem, inden maskinen tages i brug, og overhold altid sikkerhedsreglerne! Tilsidesættelse af reglerne kan føre til livsfarlige læsioner!



EF-overensstemmelseserklæring

Undertegnede, Junzo Asada og Rainer Bergfeld, bemyndiget af DOLMAR GmbH, erklærer, at nedenstående apparater af mærket MAKITA

Type: 223

UH 4540, UH 5540, UH 6540

fremstillet af DOLMAR GmbH, Jenfelder Str. 38, D-22045 Hamburg, stemmer overens med de væsentlige sikkerheds- og sundhedskrav i EF-direktiverne:

EF-Maskindirektiv 98/37/EF,

EF-EMC-Direktiv 89/336/EØF (med ændring 91/263/EØF, 92/31/EØF og 93/68/EØF),

EF-Lavspændingsdirektiv 73/23/EØF (med ændring 93/68/EØF),

Støjemission 2000/14/EF.

Til realisering af kravene i disse EF-direktiver er der især anvendt følgende standarder: EN 774/A3, EN 50144-1, EN 50144-2-15, EN 55014-1, EN 55014-2, EN 61000-3-2/-3.

Overensstemmelsesvurderingsmetode 2000/14/EF er udført i henhold til Tillæg V. Det målte lydeffektniveau (Lwa) udgør 95 dB(A). Det garanterede lydeffektniveau (Ld) udgør 96 dB(A).

Hamburg, 6.3.2002

DOLMAR GmbH

Junzo Asada
Adm. direktør

Rainer Bergfeld
Adm. direktør

Emballage

Din MAKITA hækkeklipper er emballeret i karton for at undgå transportskader. Pap er et råstof, der kan genbruges, eller det kan indgå i et genbrugssystem (genbrugspapir).



Indholdsfortegnelse

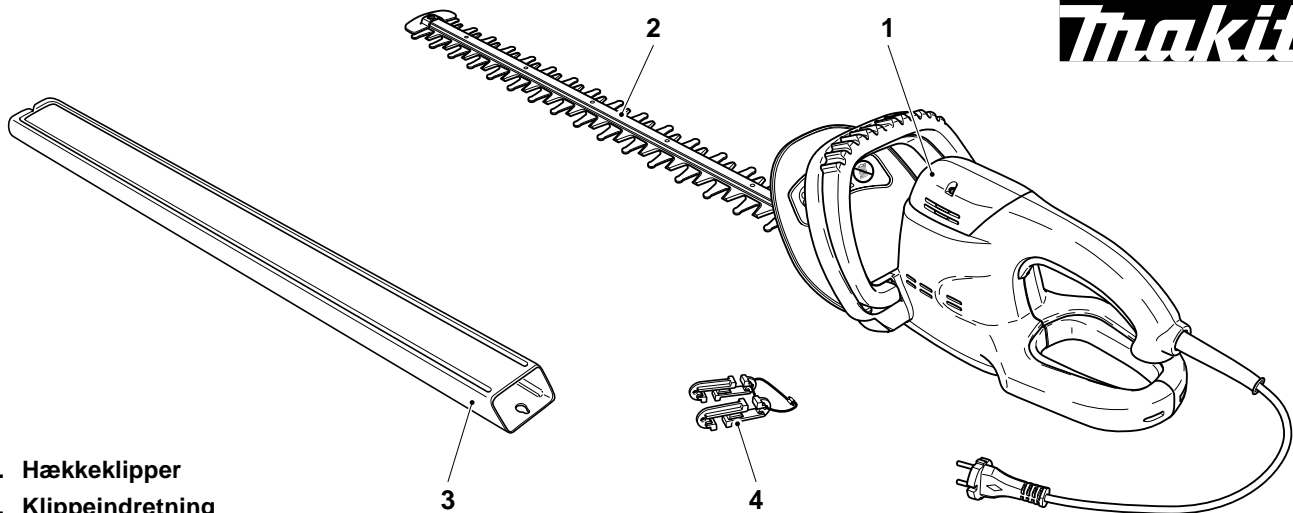
EF-overensstemmelseserklæring	37
Emballage	37
Symboler	37
Leveringsomfang	38
SIKKERHEDSFORSKRIFTER	38
Generelle bestemmelser	38
Personligt sikkerhedsudstyr	38
Start af hækkeklipperen	38-39
Forlængerledning	39
Transport og opbevaring	39
Vedligeholdelse	39
Førstehjælp	39
Arbejdsmetoder og -teknik	40
Tips om klipping af hække	40
Henvisning om miljøbeskyttelse	40
Tekniske data	41
Delenes betegnelse	41
START AF HÆKKEKLIPPEREN	42
Test af knivbremse	42
VEDLIGEHOLDELSE	42
Renøring/vedligehold af klippeindretningen	42
Regelmæssig vedligeholdelse	42
Fejlfinding	42
Service, reservedele og garanti	43
Adresseliste (se bilaget)	

Symboler

På maskinen og i betjeningsvejledningen vil de støde på følgende symboler:

-  **Læs betjeningsvejledningen, advarsels- og sikkerhedshenvisningerne overholdes!**
-  **Vær særlig forsigtig og opmærksom!**
-  **Forbudt!**
-  **Beskyttes mod regn og fugt!**
-  **Ved beskadiget kabel trækkes netstikket ud!**
-  **Træk netstikket ud!**
-  **Dobbelt beskyttelsesisolering**
-  **Stands motor!**
-  **Bær arbejdshandsker!**
-  **Bær øjen- og høreværn!**
-  **Førstehjælp**
-  **Genbrug**
-  **CE-Mærke**

Leveringsomfang



1. Hækkeklipper
2. Klippeindretning
3. Skede
4. Trækaflastning for tilslutningskabel
5. Betjeningsvejledning (ikke afbildet)

Såfremt en af de her viste dele mangler ved levering, beder vi dig henvende dig til din lokale forhandler!

SIKKERHEDSREGLER



Generelle bestemmelser

- Af sikkerhedshensyn er det absolut nødvendigt, at brugeren læser denne brugsanvisning, for at blive fortrolig med, hvordan hækkeklipperen skal bruges. Manglende kundskaber kan føre til at brugeren udsætter sig selv og andre personer for fare ved uforsigtig brug.
- Førstegangsb brugere bør få en erfaren bruger til at instruere sig i brugen af hækkeklipperen.
- Lån kun hækkeklipperen ud til personer, der har erfaring med et sådant apparat. Brugsanvisningen skal leveres med.
- Børn og unge under 18 år må ikke betjene en hækkeklipper. Unge over 16 år er undtaget fra dette forbud hvis de er i oplæring under opsyn af en kyndig person.
- Det kræver stor koncentration at arbejde med en hækkeklipper.
- Vær i god fysisk form under arbejdet. Hvis man er trætt, bliver man let uopmærksom. Især hen mod arbejdets slutning er stor opmærksomhed påkrævet. Udfør altid arbejdet roligt og forsigtigt. Brugeren er ansvarlig overfor trediemand.
- Under arbejde ved let antændeligt løv og i tørke skal der placeres en ildslukker i nærheden (fare for skovbrand).

Personligt sikkerhedsudstyr

- For at forhindre skader på hoved, hænder, fødder og hørelse ved arbejde med hækkeklipperen, skal det nedenfor anførte sikkerhedsudstyr benyttes.
- **Beklædningen** skal være hensigtsmæssig, dvs. tætsiddende, men ikke hindrende. Bær ikke smykker eller andet, som kan hænge fast i krat eller grene. Ved langt hår bæres håret.
- **Beskyttelsesbrillen** holder afskåret materiale væk. For at forhindre øjenskader, bør der altid bæres en beskyttelsesbrille under arbejde med hækkeklipperen.

- For at forhindre høreskader må passende personlig **høreværn** eller ørepropper benyttes. Oktavbånds analyse ved forespørgsel.
- **Arbejdshandsker** af kraftigt læder hører til det påbudte udstyr og skal altid benyttes under arbejde med hækkeklipperen.
- Under arbejde med hækkeklipperen skal der benyttes **sikkerhedssko** med grov sål.

Start af hækkeklipperen

- **Kontroller før arbejdets påbegyndelse at hækkeklipperen fungerer ordentligt og er i forskriftsmæssig og driftssikker tilstand!**
- Ved regn og i fugtige omgivelser må der ikke arbejdes med hækkeklipperen, da elektromotoren ikke er beskyttet mod vand. 
- Hvis hækkeklipperen er fugtig, må den ikke tages i brug.
- Hækkeklipperen må ikke bruges i nærheden af brændbare gasser eller støv, da motoren laver gnister. **Eksplisionsfare!**
- Test om netspændingen og frekvensen stemmer overens med angivelserne på typeskiltet. Max. sikring 16 A. Det anbefales at anvende en fejlstrøms-sikkerhedskontakt eller en sikkerheds-indretning for afledningsstrøm.
- Pas på, at der under arbejde ikke befinder sig børn eller andre personer indenfor en afstand af 5 m. Pas også på dyr.
- Hækkeklipperen må kun tages i brug, når den er komplet samlet!
- Brugeren skal sørge for godt fodfæste, før der startes.
- **Hækkeklipperen kan kun startes, når der holdes fast om bøjlegrebet og et af de bageste greb med begge hænder.** Den er konstrueret for både højre- og venstre-hådede og kan uden indskrænkninger betjenes fra begge sider.

- **Det er forbudt at fastlåse bøjlegrebets sikkerhedskontakt og håndgrebets sikkerhedskontakt!**
- Hækkeklipperen må kun startes som beskrevet i betjeningsvejledningen.
- Sluk straks hækkeklipperen, hvis der opstår mærkbare forandringer på maskinen.
- Hvis ledningen skades eller overskæres, må stikket straks trækkes ud.
- Hvis klippeindretningen kommer i berøring med et hegn eller en anden hård genstand, skal motoren straks stoppes og netstikket stækkes ud. Undersøg klippeindretningen.
- **Sluk hækkeklipperen og træk netstikket ud ved undersøgelse af snitteindretningen, for at ordne fejl eller fjerne fastsiddende genstande.**
- I arbejds pauser og når man forlader hækkeklipperen skal den altid slukkes og netstikket trækkes ud. Hækkeklipperen skal stilles, så ingen kan komme til skade.


Forlængerledning

- Brug kun forlængerledninger til udendørs brug, der er beskyttet mod vandstænk og som er mærkede som sådanne.
- Foretræk ved nyanskaffelse forlængerledninger, der er signalfarvede.
- Hækkeklipperen er beskyttelsesisoleret i.h.t klasse II VDE 0740 og må tilsluttes en stikkontakt uden jord.
- Forlængerledningen skal man trække bag sig!
- Begynd altid arbejdet nær ved strømtilslutningen. Derved opnås, at forlængerledningen altid føres bagved arbejdsområdet.
- Netkablet føres altid bag den person, der betjener apparatet. Pas på, at ledningen ikke kommer i klemme eller kommer i berøring med skarpkantede genstande. Læg ledningen, så ingen kan komme til skade.

Giv agt: Arbejd med forhøjet opmærksomhed, når forlængerledningen skal føres over hækken, der skal klippes.


- Diameteren på forlængerledningen skal ubetinget være min. 3 x 1,5 mm². Ved anvendelse af kabelrulle skal ledningen rulles helt ud. Max. ledningslængde 30 m!

Transport og opbevaring

- **Ved transport og ved skift af arbejdssted skal stikket trækkes ud.** 
- **Bær eller transporter aldrig hækkeklipperen med kørende klippeindretning!**
- **Hold aldrig om klippeindretningen med hænderne.** 
- Ved transport over længere afstande, skal den medleverede skede altid sættes på.
- Bær kun hækkeklipperen i bøjlegrebet. Klippeindretningen skal pege bagud.
- Ved transport i bil gives agt på et sikkert leje. Den må kun ligge i bagagerummet eller på en transportplads, der er afskærmet mod bilens fører.

- Opbevar hækkeklipperen med påsat skede på et tørt sted, der er utilgængeligt for børn. Hækkeklipperen må ikke opbevares i det fri.
- Ved længere tids opbevaring og efter brug skal hækkeklipperen og især klippeindretningen rengøres. Klippeindretningen smøres let ind i olie, og skeden sættes på. Den medleverede skede kan fastgøres på væggen. Derved har man en sikker og praktisk opbevaringsmulighed for hækkeklipperen.

Reparation

- **Ved alle vedligeholdelsesarbejder skal hækkeklipperen slukkes, netstikket trækkes ud og sikres.**
- Giv særlig agt på, at klippeindretningen er i orden og ubeskadiget.
- Kontroller regelmæssigt, at ledningen er ubeskadiget. Ved beskadiget ledning skal stikket trækkes ud. 
- Rengør hækkeklipperen regelmæssigt.
- Ved beskadigelse af kunststofhuset skal der omgående sørges for fagmæssig reparation. **Risiko for strømstød!**

Arbejdstilsynets og forsikringssekskabernes sikkerhedsreglement skal overholdes.

Under ingen omstændigheder må der foretages konstruktionsmæssige ændringer på hækkeklipperen. Dette vil gå ud over din sikkerhed.

Vedligeholdelses- og reparationsarbejde må kun udføres i det omfang, det er beskrevet i denne betjeningsvejledning. Alt andet arbejde skal udføres af MAKITA service.

Anvend kun originale MAKITA reservedele og tilbehør.

Ved brug af ikke-originale MAKITA reservedele eller tilbehørsdele må man påregne større fare for ulykker. Ved ulykker eller skader med ikke-originale MAKITA reservedele eller tilbehørsdele, bortfalder vort ansvar.

Førstehjælp



Af hensyn til eventuelle uheld bør der altid forefindes en standardiseret førstehjælpskasse på arbejdspladsen. Brugt materiale skal straks efterfyldes.

Hvis du tilkalder hjælp, skal du angive følgende:

- hvor ulykken er sket
- hvad der er sket
- hvor mange tilskadekomne er der
- hvilke form for skader
- hvem ringer!

Henvi sning:

Hvis mennesker med kredsløbsforstyrrelser for hyppigt udsættes for vibrationer, kan det medføre beskadigelse på blodkarrene eller nervesystemet.

Ved vibrationer kan der opstå følgende symptomer på fingrene, hænderne eller håndled: De enkelte legemsdele sover, det snurrer, prikker eller smerter i dem, hudens farve eller selve huden forandrer sig.

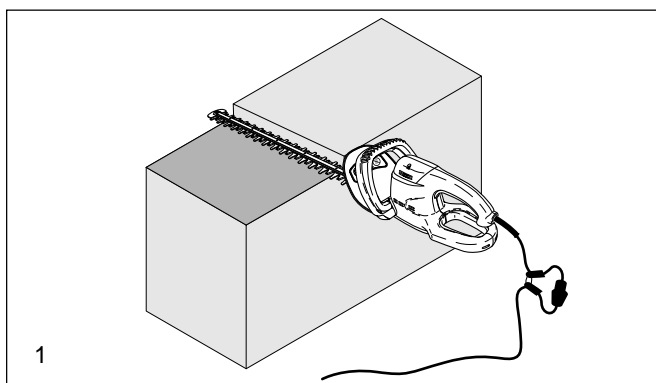
Opsøg straks læge, hvis De opdager sådanne symptomer.

Arbejdsmetode og -teknik

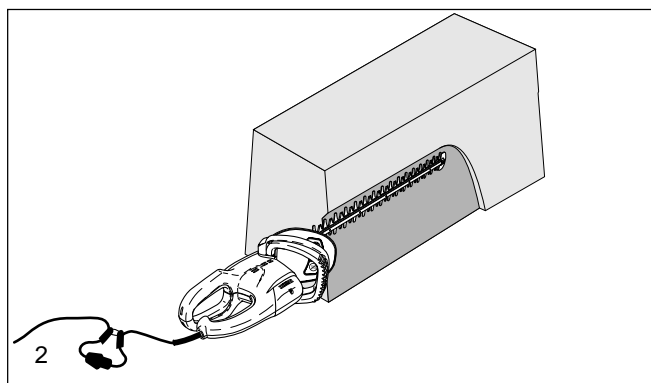
- Arbejd kun ved gode lys- og sigtforhold.
- Arbejd aldrig på ustabile underlag. Vær opmærksom for forhindringer i arbejdsområdet, fare for at snuble. Sørg hele tiden for godt fodfæste.
- Arbejd aldrig stående på en stige.
- Arbejd ikke for langt foroverbøjet.
- Hækkeklipperen skal holdes i tilstrækkelig afstand fra kroppen og klippeindretningen pege væk fra kroppen.
- Klip kun hække med hækkeklipperen. Den må ikke benyttes til at klippe græs eller krat med.
- Hold udluftningsslidserne fri for snavs for at sikre kølingen af elektromotoren.
- Berør ikke jorden med kørende klippeindretning. Fremmedlegemer kan ødelægge klippeindretningen og føre til skader.
- Brug ikke hækkeklipperen til at løfte eller skovle klippet affald eller andre genstande væk med.
- Der kan ganske vist klippes grene op til \varnothing 20 mm tykkelse, men det afhænger af træsort, træets alder, vandindhold og hårdhed.
- Tykke grene skal kortes af i passende længde før klipningen af hækken.
- **Klipningen må først påbegyndes når det er sikret at**
 - a) der ikke opholder sig andre personer eller dyr i arbejdsområdet.
 - b) der er sikret en forhindringsfri tilbagetrædelsesmulighed for den, der beskæftiger sig med klipningen.
 - c) fodfæstet er fri for alle fremmedlegemer, krat og grene. Sørg for et sikkert fodfæste (fare for at falde).

Tips til klipping af hække

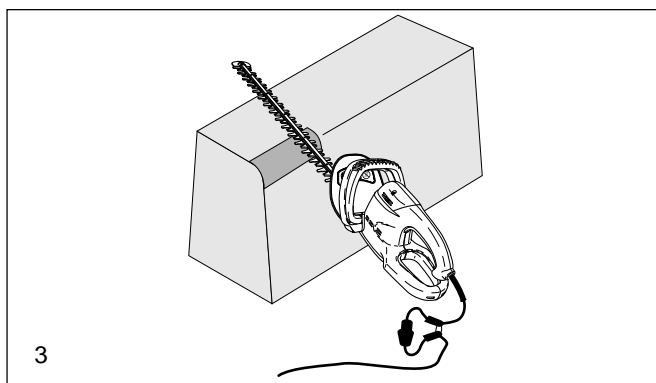
Den efterfølgende fremgangsmåde er ofte anvendelig og letter arbejdet. Skal hækken klippes meget tilbage, bør der klippes ad to omgange.



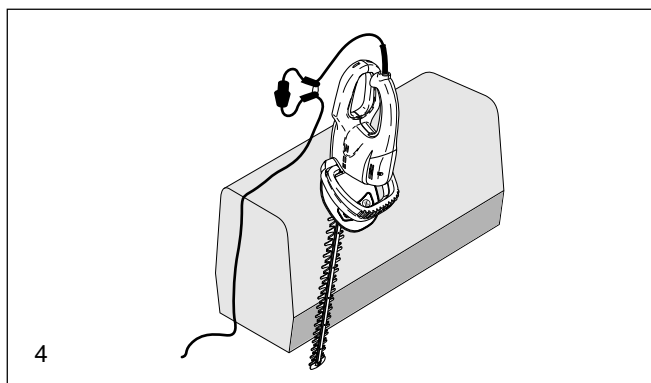
- Den ønskede højde (1) klippes først. Klippet affald kan derved med nogen øvelse fjernes fra hækken med en pendulbevægelse. For at opnå et lige snit, spændes en snor i klippehøjden.



- Klip hækken trapezformet (på én meter i højden snævres ca. 10 cm ind foroven) og klip nedefra og op (2). Derved forhindres, at affald falder ned på den endnu ikke klippede flade og forstyrrer den efterfølgende klipping.



- Afrund den øverste kant (3) lidt, og klip det nederste område (4) lidt tilbage.



Det rigtige tidspunkt for klipping af hække:

Løv:	Juni og oktober
Nåle:	April og august
Hurtigtvoksende:	Fra maj ca. hver 6 uge

Henvisning om miljøbeskyttelse

Arbejde med hækkeklipperen bør ikke foretages på tidspunkter, hvor det kan være til gene for andre.

Før du begynder at klippe hæk, bør det sikres, at der ikke ruger fugle i hækken. Hvis der ruger fugle i hækken, udskydes klippingen af hækken helt, eller man venter med at klippe det område, hvor fuglene ruger.

Affald bortskaffes miljørigtigt eller komposteres.

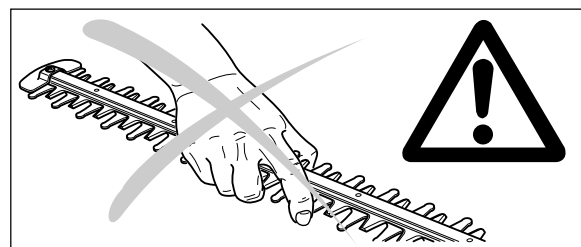
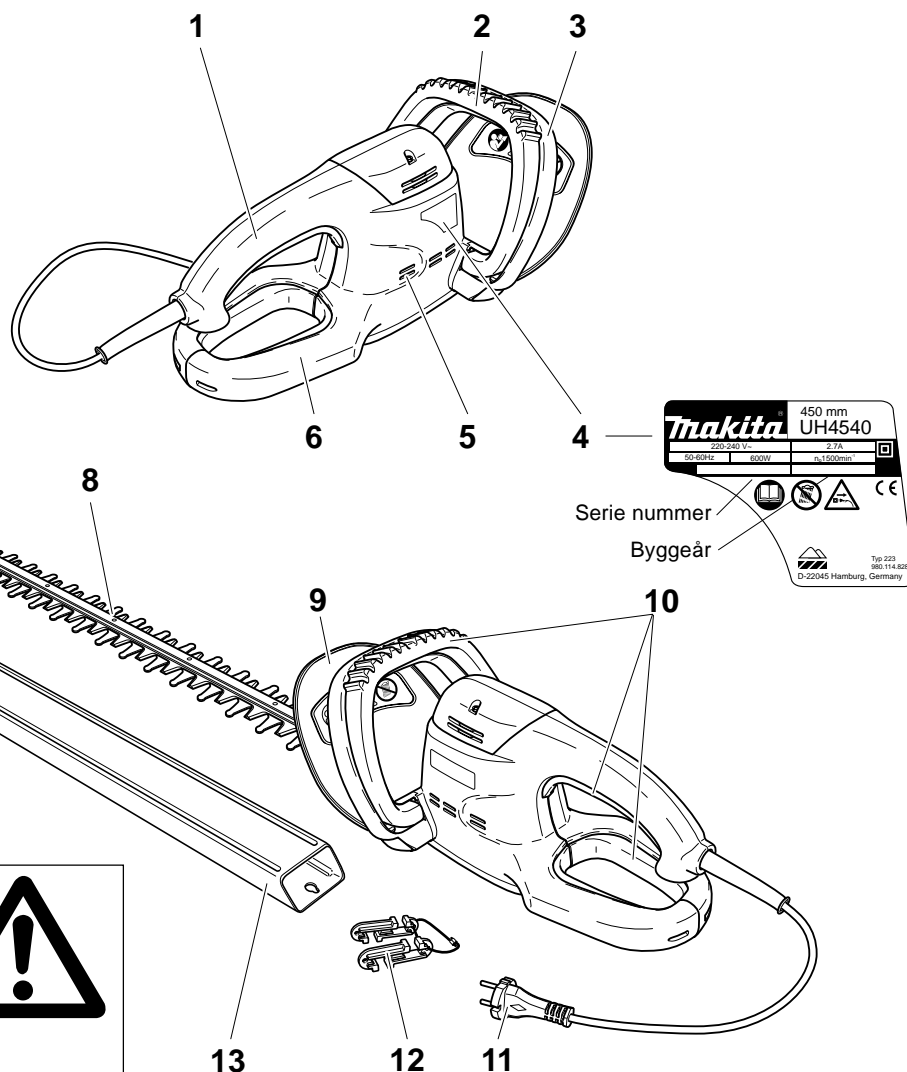
Tekniske data

		UH 4540	UH 5540	UH 6540
Optagen effekt	Watt	600		
Nominal spænding	V	220...240~		
Netfrekvens	Hz	50...60		
Nominal strøm	A	2,7		
Sikring	A	16		
Kabellængde	cm	30		
Snitlængde	cm	45	55	65
Antal slag (n _o)	n/min	1500		
Slag	mm	18		
Maks. grentykkelse	mm	20		
Afstand mellem tænderne	mm	26		
Lydtrykniveau L _{PA} på arbejdspladsen i.h.t. EN 50144-1 ¹⁾	dB (A)	85,2	85,2	85,2
Lydeffektniveau L _{WA} i.h.t. EN 50144-1 ¹⁾	dB (A)	98,2	98,2	98,2
Svingningsacceleration a _{R,W} EN 774/A3, EN 50144-2-15 ¹⁾				
- bøjlegreb for	m/s ²	3,3 / 1,7	3,3 / 1,7	3,3 / 1,7
- håndgreb bag	m/s ²	2,6 / 1,0	2,6 / 1,0	2,6 / 1,0
Overbelastningssikring	Type	Glidekobling		
Bremse		mekanisk		
Stoppetid	Sek	0,05		
Vægt	kg	3,8	4,0	4,1
Radiostøj/dæmpet/EMC		i henhold til EMC-direktivet 89/336/EØF og 92/31/EØF		
Beskyttelsesisolering		Klasse II (dobbelt beskyttelsesisoleret)		
Forlængerledning (ikke medleveret)	Type	DIN 57282 / HO7RN-F L= max. 30 m, min. 3 x 1,5 mm ²		

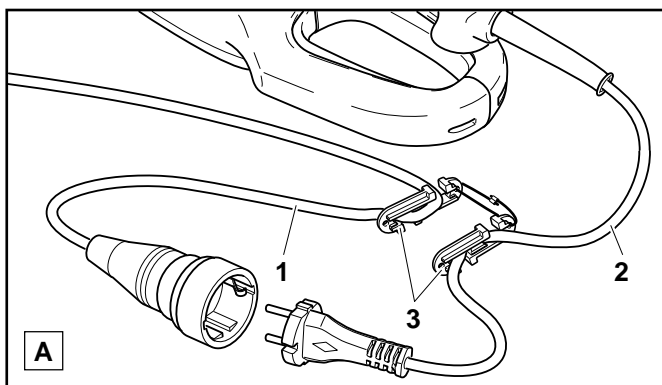
¹⁾ målt ved max. omdrejninger

Delenes betegnelse

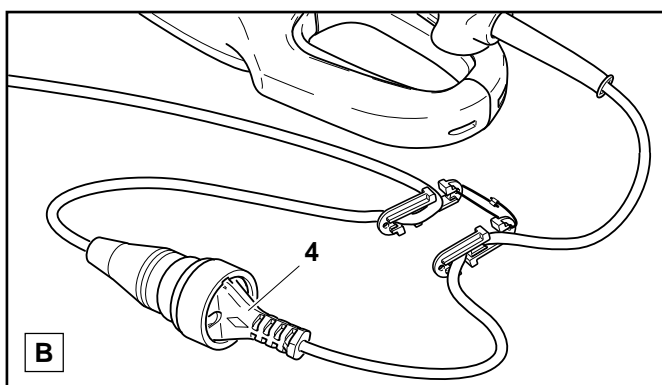
- 1 Håndgreb
- 2 Bøjlegrebssikkerhedskontakt
- 3 Bøjlegreb
- 4 Typeskilt
- 5 Udluftningsslids
- 6 Dobbeltgreb
- 7 Grenfanger
- 8 Klippeindretning
- 9 Håndbeskyttelse
- 10 Håndgrebssikkerhedskontakt
- 11 Netstik
- 12 Trækafastning til forlængerledning!
- 13 Skede



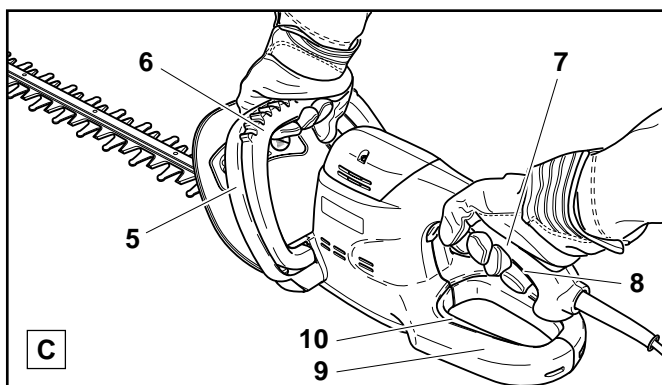
IBRUGTAGNING



- Forlængerledningen (A/1) og hækkeklipperens tilslutningskabel (A/2) hænges i trækaflastningen (A/3).



- Netstik (B/4) forbindes med forlængerledningen.



- Hold om bøjlegrebet (C/5) med hånden, og aktiver bøjlegrebssikkerhedskontakten (C/6).
- Hold med den anden hånd om håndtaget (C/7) og start hækkeklipperen med håndtagssikkerhedskontakten (C/8).

OBS: Det er lettere at føre hækkeklipperen under selve klipningen, hvis man bruger dobbeltgrebet (C/9). Hækkeklipperen startes i det tilfælde med håndgrebssikkerhedskontakten (C/10).

Giv agt: Hækkeklipperen kører med det samme!

OBS: Hækkeklipperen starter først, når begge kontakter (C/6 og C/8 resp. C/6 og C/10 eller også C/8 og C/10) aktiveres.

OBS: Hvis saven er startet med blot én kontakt, må arbejdet under ingen omstændigheder påbegyndes. Opsøg et MAKITA værksted.

Slukning af hækkeklipperen: Slip en eller begge kontakter. Hækkeklipperen stopper straks.

Test af knivbremsen



Knivbremsen skal testes før hver arbejds-begyndelse!

- Start hækkeklipperen som beskrevet ovenfor.
- Hold godt fast på bøjlegrebet med den ene hånd og på håndtaget med den anden.
- Håndtagssikkerhedskontakten (C/6, C/8 resp. C/10) aktiveres og slippes. Klippeindretningen skal straks standse.

Giv agt: Hvis klippeindretningen efter denne test ikke straks standser, må arbejdet under ingen omstændighed påbegyndes. Opsøg et MAKITA værksted.

VEDLIGEHOLDELSE

For at opnå lang levetid og undgå skader skal de efterfølgende beskrevne servicearbejder udføres regelmæssigt. Garantien gælder kun, hvis disse arbejder udføres regelmæssigt og fagkyndigt.

OBS:

Ved alle arbejder på hækkeklipperen skal stikket ubetinget trækkes ud og der skal bæres beskytteshandsker!



Rengøring og pleje af klippeindretningen

Giv agt: Vær især forsigtig ved rengøring af klippeindretningen (fare for uheld!).

Klippeindretningen skal jævnligt efterses for beskadigelse og rengøres med en egnet børste eller klud.

Hvis klippeindretningen efter længere tids brug ikke fungerer tilfredsstillende, kontakt et serviceværksted.

Periodiske vedligeholdelses- og plejearbejder

Før hver ibrugtagning

- Kontroller hele hækkeklipperen for brud og beskadigelser. Ved beskadigelse skal der straks foretages fagkyndig reparation.
- Funktionstest af tænd/sluk kontakter.
- Udluftningsslidserne skal være frie.
- Kontroller tilslutningsledningen. Ved beskadigelse skal den fornyes af et serviceværksted.

Efter endt brug

- Rengør hele hækkeklipperen.
- Klippeindretningen renses og smøres med lidt olie.

Opbevaring

- Opbevar hele hækkeklipperen på et sikkert og tørt sted.

Fejlsøgning

Hækkeklipperens elektromotor starter ikke:

- ingen strømforsyning, defekt ledning, kontroller sikringen. Elektromotoren kører, men klippeindretningen arbejder ikke: Kontakt ubetinget et MAKITA serviceværksted.

Vedligeholdelse og reparationer

Til vedligeholdelse og reparation af moderne hække-klippere samt sikkerhedsrelevante komponenter kræves en kvalificeret faguddannelse og et værksted med specialværktøjer og testapparater.

Alt arbejde, som ikke er beskrevet i denne betjeningsvejledning, skal udføres af et MAKITA serviceværksted.

Fagmanden har den nødvendige uddannelse, erfaring og udstyr til at give dig den billigste løsning til enhver tid og kan hjælpe dig videre med råd og vink.

Ved forsøgt reparation af tredjemand resp. af ikke autoriserede personer bortfalder garantien.

Nærmeste autoriserede værksted fremgår af vedlagte Service-oversigt.

Reserve dele

Kvaliteten af de anvendte reservedele er vigtig for pålidelig og sikker drift af apparatet. Anvend kun originale MAKITA reservedele, som er mærket med



Kun originaldele produceres sammen med apparatet og sikrer derfor højeste kvalitet hvad materiale, dimensioner og funktion angår.

Originale reserve- og tilbehørsdele får du hos forhandleren. Her findes også de nødvendige reserve-delslister som en hjælp til at finde de rigtige bestillingsnumre, samt informationer om detail-forbedringer og nyheder på reserve-delsområdet.

Bemærk endvidere, at MAKITA-garantien bortfalder ved brug af ikke-originale dele.

Garanti

MAKITA garanterer fejlfri kvalitet og overtager udgifterne for udbedring ved udskiftning af defekte dele i tilfælde af materiale- eller produktionsfejl, som opstår inden for garantiperioden. Bemærk venligst, at enkelte lande har specielle garantibestemmelser. Spørg din forhandler, hvis du er i tvivl. Han har som sælger af varen ansvaret for garantien.

Vi beder om din forståelse for, at vi ikke kan påtage os nogen garanti for følgende skadesårsager:

- Driftsvejledningen er ikke fulgt.
- Nødvendig vedligeholdelse og rengøring ikke udført.
- Normal slitage.
- Brug af ikke godkendte forlængerledninger.
- Brug af vold, forkert behandling, misbrug eller uheld.
- Overophedningskader p.g.a. tilstoppede udluftningsslidser.
- Indgreb fra ukyndige personer eller ukorrekte reparationsforsøg.
- Brug af uegnede reservedele eller ikke-originale MAKITA dele, når dette er årsag til skaden.
- Skader, som kan tilbageføres til arbejdsforhold ved udleje.

Rengørings-, vedligeholdelses- og justerings-arbejde godkendes ikke som garantiydelse. Al slags garantiarbejde skal udføres af en MAKITA-forhandler.



Makita Werkzeug GmbH
Postfach 70 04 20
D-22004 Hamburg
Germany

Specifications subject to change without notice
Änderungen vorbehalten
Changements sans préavis
Mejoras constructivas sin previo aviso
Wijzigingen voorbehouden
Ændringer forbeholdes

Form: 995 707 901 (4.02 GB, D, F, E, NL, DK)